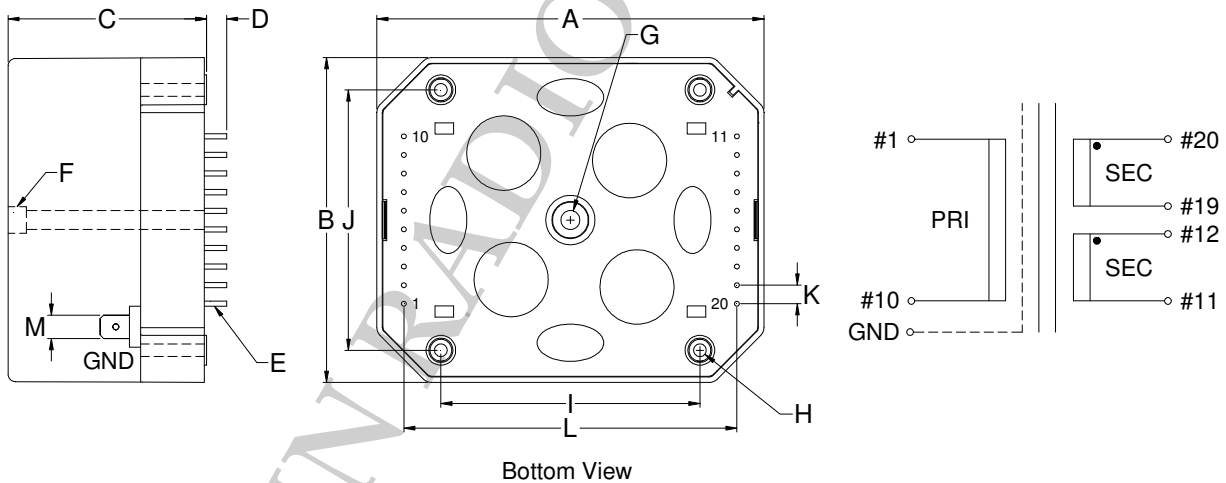




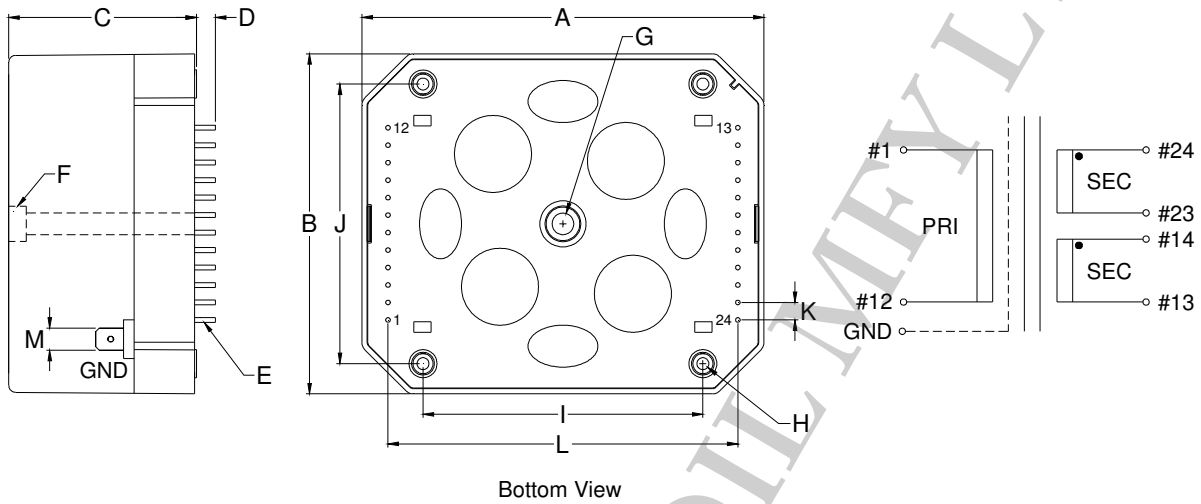
TL97 Series

- Low magnetic stray field emissions
- Low standby current
- Low profile
- Magnetic & capacitive shielded
- Fully encapsulated
- High efficiency
- Ambient temperature – 40°C
- Power – 90VA to 160VA
- Primary – 230V 50Hz
- Secondary – Series or parallel
- Dielectric strength – 4000Vrms
- Insulation Class – Class B (130°C)
- Agency approvals
 - TUV / CE: EN60950 / EN60065



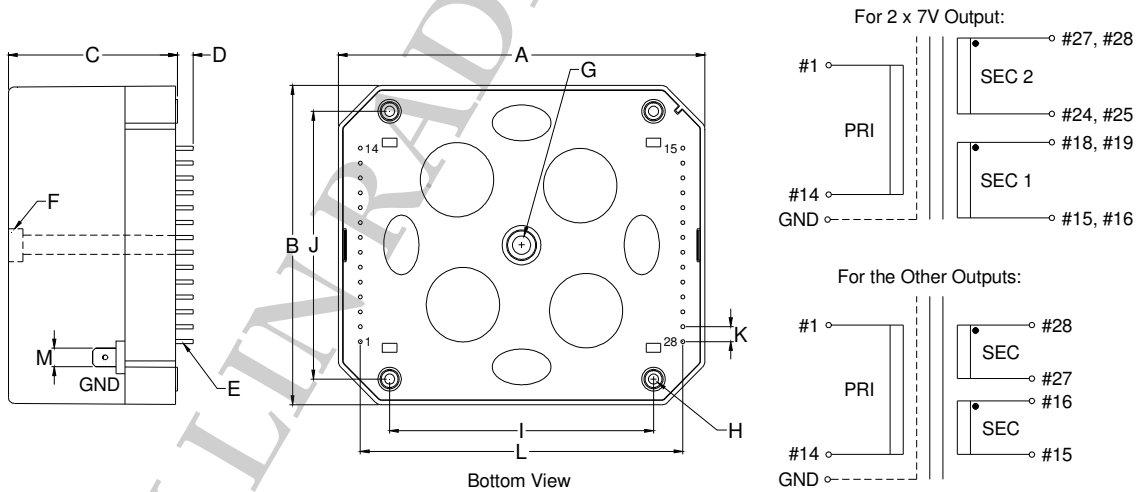
Product Series	Dimensions (mm)													Weight (g)
	A	B	C	D	E	F (Hex)	G	H	I	J	K	L	M	
90 VA	106.0	88.5	54.5	4.0	SQ 1.0	7.0	Ø5.1	Ø3.4	70.0	70.0	5.0	90.0	6.3	1250
Tolerance	max.	max.	max.	±1.0	±0.1	±0.3	±0.3	±0.3	±0.5	±0.5	±0.3	±0.5	±0.2	approx.

Note: Unused pins are omitted for standard parts. Unused pins can be provided on request.



Product Series	Dimensions (mm)														Weight (g)
	A	B	C	D	E	F (Hex)	G	H	I	J	K	L	M		
110 VA	116.0	98.5	54.5	4.0	SQ 1.0	10.0	∅6.15	∅3.4	80.0	80.0	5.0	100.0	6.3	1500	
Tolerance	max.	max.	max.	±1.0	±0.1	±0.5	±0.3	±0.3	±0.5	±0.5	±0.3	±0.5	±0.2	approx.	

Note: Unused pins are omitted for standard parts. Unused pins can be provided on request.



Product Series	Dimensions (mm)														Weight (g)
	A	B	C	D	E	F (Hex)	G	H	I	J	K	L	M		
160 VA	126.0	108.5	57.5	4.0	SQ 1.0	10.0	∅6.15	∅3.4	90.0	90.0	5.0	110.0	6.3	2000	
Tolerance	max.	max.	max.	±1.0	±0.1	±0.5	±0.3	±0.3	±0.5	±0.5	±0.3	±0.5	±0.2	approx.	

Note: Unused pins are omitted for standard parts. Unused pins can be provided on request.

Product Series	Part Number	Input Voltage (V)	Secondary RMS Rating		ta (°C)
			Series	Parallel	
90 VA	TL97-0900-014	230	14V @ 6428mA	7V @ 12856mA	40
	TL97-0900-018		18V @ 5000mA	9V @ 10000mA	
	TL97-0900-024		24V @ 3750mA	12V @ 7500mA	
	TL97-0900-030		30V @ 3000mA	15V @ 6000mA	
	TL97-0900-036		36V @ 2500mA	18V @ 5000mA	
	TL97-0900-048		48V @ 1875mA	24V @ 3750mA	
	TL97-0900-060		60V @ 1500mA	30V @ 3000mA	
110 VA	TL97-1100-014	230	14V @ 7857mA	7V @ 15714mA	40
	TL97-1100-018		18V @ 6111mA	9V @ 12222mA	
	TL97-1100-024		24V @ 4583mA	12V @ 9166mA	
	TL97-1100-030		30V @ 3666mA	15V @ 7332mA	
	TL97-1100-036		36V @ 3055mA	18V @ 6110mA	
	TL97-1100-048		48V @ 2291mA	24V @ 4582mA	
	TL97-1100-060		60V @ 1833mA	30V @ 3666mA	
160 VA	TL97-1600-014	230	14V @ 11428mA	7V @ 22856mA	40
	TL97-1600-018		18V @ 8888mA	9V @ 17776mA	
	TL97-1600-024		24V @ 6666mA	12V @ 13332mA	
	TL97-1600-030		30V @ 5333mA	15V @ 10666mA	
	TL97-1600-036		36V @ 4444mA	18V @ 8888mA	
	TL97-1600-048		48V @ 3333mA	24V @ 6666mA	
	TL97-1600-060		60V @ 2666mA	30V @ 5332mA	

THAI LIN RADIO