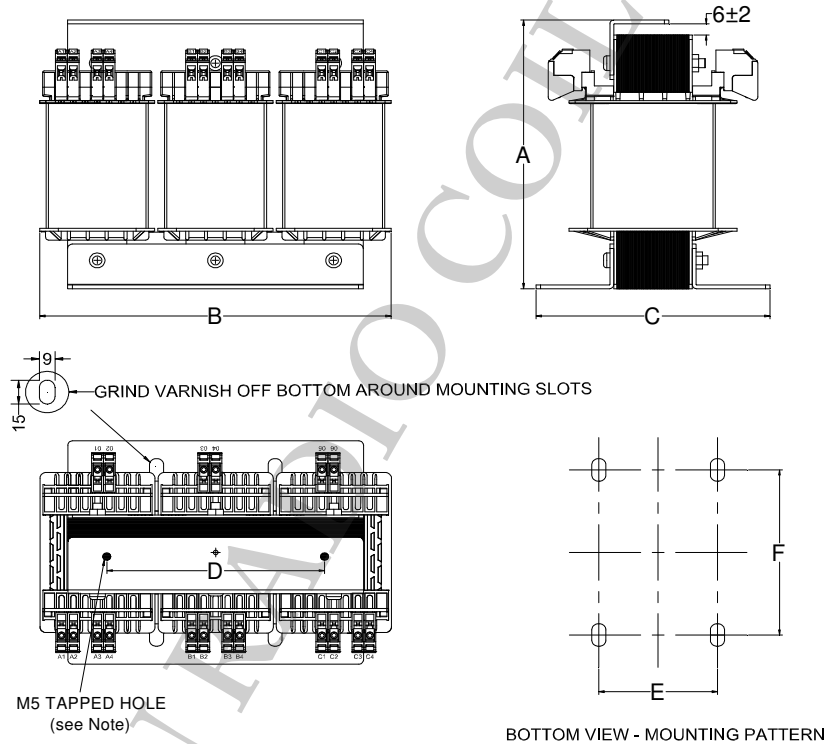


TL495 Series

- Power – 0.85kVA ~ 2.85kVA
- Frequency – 50/60 Hz
- Ambient temperature (ta) – 40°C ~ 50°C
- Insulation class – class F (155°C)
- Dielectric strength – 4000Vrms
- Degree of protection – IP00
- Agency Approvals
 - UL: UL 5085-1/-2
 - C-UL: CSA C22.2 #66.1-06 / #66.2-06



Product Series	Rated Power (kVA)	Dimension (mm)						Weight (kg)
		A	B	C	D	E	F	
TL495-085	0.85	183.0	226.0	150.0	141.0	76.2	111.2	14.0
TL495-110	1.10	183.0	226.0	150.0	141.0	76.2	111.2	14.0
TL495-125	1.25	183.0	226.0	165.0	141.0	76.2	126.2	17.5
TL495-150	1.50	183.0	226.0	165.0	141.0	76.2	126.2	17.5
TL495-200	2.00	216.0	273.5	174.5	141.0	200.0	105.0	25.0
TL495-225	2.25	216.0	273.5	174.5	141.0	200.0	105.0	25.0
TL495-260	2.60	216.0	273.5	189.5	141.0	200.0	120.0	29.0
TL495-285	2.85	216.0	273.5	189.5	141.0	200.0	120.0	29.0
Tolerance		typ.	typ.	typ.	typ.	typ.	±0.5	approx.

Note: Able to install T-35 bar (Mounting Rails DIN EN50022) for varistor wiring with terminal block.

Part Number Designation:

TL495 – XXX R YY – ZZSS

Where XXX = Output Power (0.85kVA ~ 2.85kVA)

R = Input Style (“S” = Single, “D” = Double, “M” = multiple)

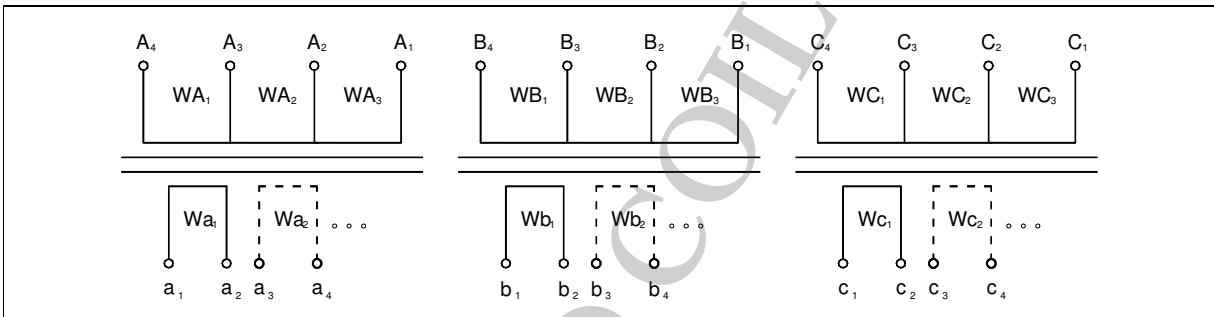
YY = Input Voltage Range

ZZ = Output Voltage Range

SS = Add suffix “A” represent without input taps (for single / double style input only), or any alphanumeric (1 digit or 2 digits, or blank for marketing purpose)

Example: TL495-085S01-01 = 0.85kVA / Single / Input 230V / Output Δ 24V (Delta) or Y 42V (Wye)

Available Schematic Of Single Style Input For Standard Program

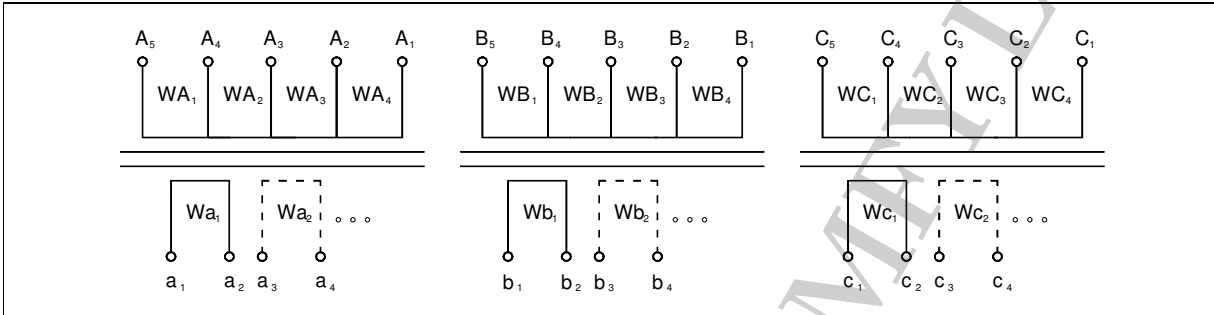


Note: Nominal single style input voltage taps $\pm 5\%$.

Part No.	Rated Power		Rated Input Voltage (RYY)				Connections And Links	
	(XXX)	kVA	Δ 230V (S01)	Δ 400V (S03)	Δ 500V (S05)	Δ 575V (S07)	Feed Terminals	Jumper Links
TL495-XXXXYY-ZZ	(085)	0.85	Δ 218	Δ 380	Δ 475	Δ 550	A ₄ , B ₄ , C ₄	A ₄ - C ₃ ; C ₄ - B ₃ ; B ₄ - A ₃ A ₄ - C ₂ ; C ₄ - B ₂ ; B ₄ - A ₂ A ₄ - C ₁ ; C ₄ - B ₁ ; B ₄ - A ₁
	(110)	1.10						
	(125)	1.25						
	(150)	1.50						
	(200)	2.00						
	(225)	2.25						
	(260)	2.60						
	(285)	2.85						
Part No.	Rated Power		Rated Input Voltage (RYY)				Connections And Links	
	(XXX)	kVA	Y 400V (S02)	-	-	-	Feed Terminals	Jumper Links
TL495-XXXXYY-ZZ	(085)	0.85	Y 420	-	-	-	A ₄ , B ₄ , C ₄	A ₁ - B ₁ - C ₁ A ₂ - B ₂ - C ₂ A ₃ - B ₃ - C ₃
	(110)	1.10						
	(125)	1.25						
	(150)	1.50						
	(200)	2.00						
	(225)	2.25						
	(260)	2.60						
	(285)	2.85						

Note: Y / Δ disconnecting links are not included in the scope of supply.

Available Schematic Of Double Style Input For Standard Program



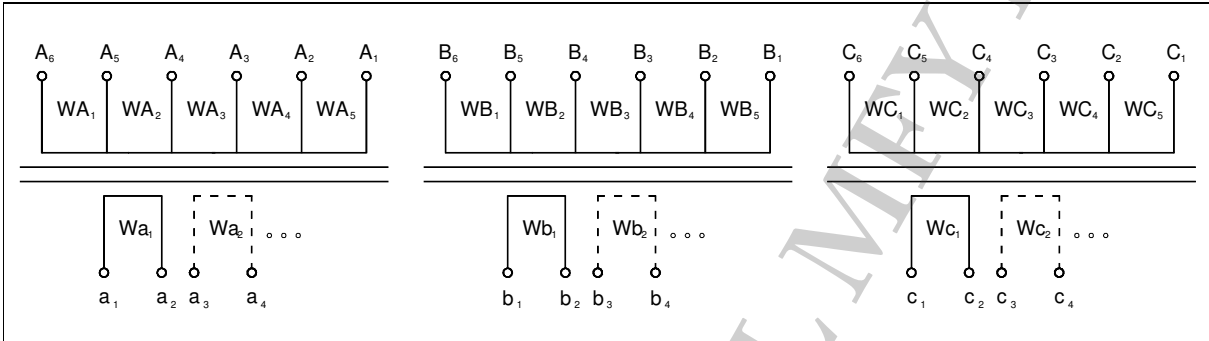
Note: Nominal double style input voltage taps $\pm 15V$.

Part No.	Rated Power		Rated Input Voltage (RYY)			Connections And Links	
	(XXX)	kVA	Δ 230V / 173V	Δ 289V / 230V	Δ 330V / 289V	Feed Terminals	Jumper Links
			(D01)	(D03)	(D05)		
TL495-XXXXYY-ZZ	(085)	0.85					
	(110)	1.10					
	(125)	1.25	Δ 245	Δ 304	Δ 345	A ₁ , B ₁ , C ₁	A ₁ - C ₅ ; C ₁ - B ₅ ; B ₁ - A ₅
	(150)	1.50	Δ 230	Δ 289	Δ 330	A ₁ , B ₁ , C ₁	A ₁ - C ₄ ; C ₁ - B ₄ ; B ₁ - A ₄
			Δ 215	Δ 274	Δ 315	A ₁ , B ₁ , C ₁	A ₁ - C ₃ ; C ₁ - B ₃ ; B ₁ - A ₃
	(200)	2.00	Δ 188	Δ 245	Δ 304	A ₂ , B ₂ , C ₂	A ₂ - C ₅ ; C ₂ - B ₅ ; B ₂ - A ₅
			Δ 173	Δ 230	Δ 289	A ₂ , B ₂ , C ₂	A ₂ - C ₄ ; C ₂ - B ₄ ; B ₂ - A ₄
	(225)	2.25	Δ 158	Δ 215	Δ 274	A ₂ , B ₂ , C ₂	A ₂ - C ₃ ; C ₂ - B ₃ ; B ₂ - A ₃
(260)	2.60						
(285)	2.85						
Part No.	Rated Power		Rated Input Voltage (RYY)			Connections And Links	
	(XXX)	kVA	Y 400V / 300V	Y 500V / 400V	Y 570V / 500V	Feed Terminals	Jumper Links
			(D02)	(D04)	(D06)		
TL495-XXXXYY-ZZ	(085)	0.85					
	(110)	1.10					
	(125)	1.25	Y 425	Y 525	Y 600	A ₁ , B ₁ , C ₁	A ₅ - B ₅ - C ₅
	(150)	1.50	Y 400	Y 500	Y 570	A ₁ , B ₁ , C ₁	A ₄ - B ₄ - C ₄
			Y 372	Y 475	Y 545	A ₁ , B ₁ , C ₁	A ₃ - B ₃ - C ₃
	(200)	2.00	Y 325	Y 425	Y 525	A ₂ , B ₂ , C ₂	A ₅ - B ₅ - C ₅
			Y 300	Y 400	Y 500	A ₂ , B ₂ , C ₂	A ₄ - B ₄ - C ₄
	(225)	2.25	Y 273	Y 372	Y 475	A ₂ , B ₂ , C ₂	A ₃ - B ₃ - C ₃
(260)	2.60						
(285)	2.85						

Note: Y / Δ disconnecting links are not included in the scope of supply.

Available Schematic Of Multiple Style Input For Standard Program

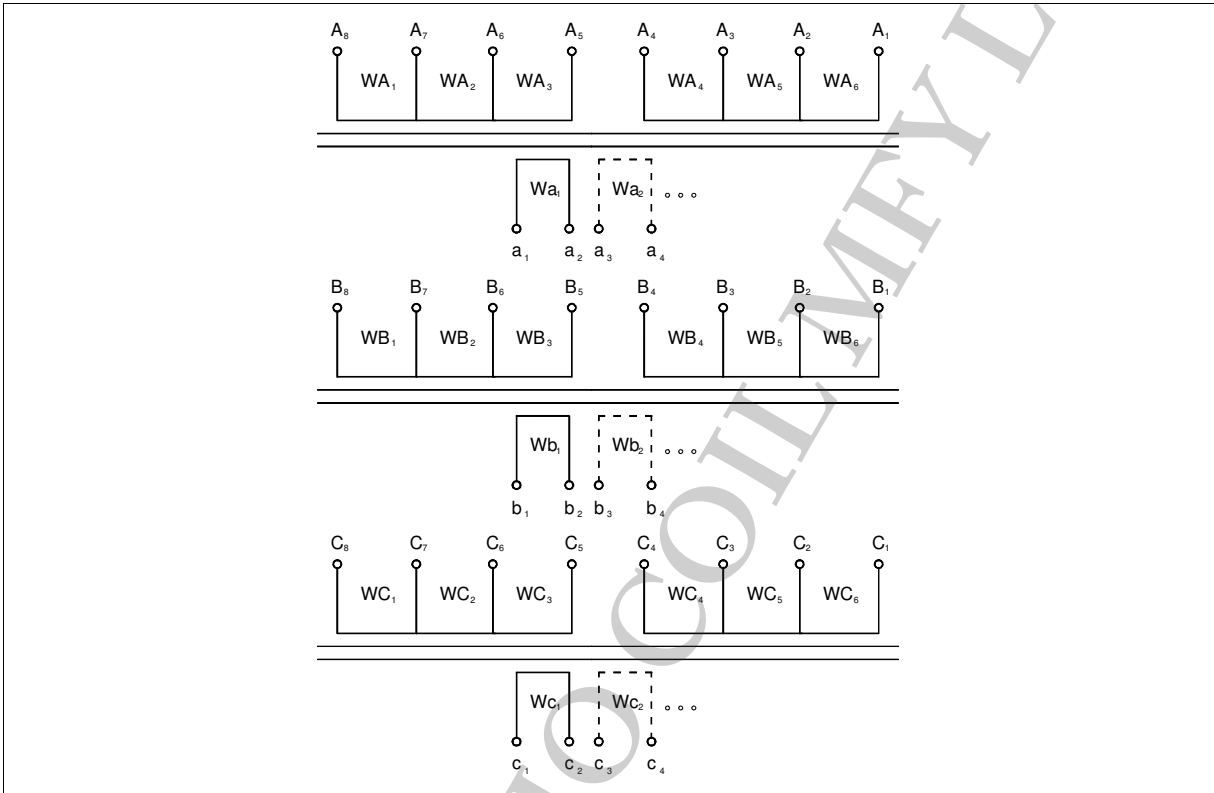
Version 1:



Part No.	Rated Power		Rated Input Voltage (RYY)		Connections And Links	
	(XXX)	kVA	(M01)	(M05)	Feed Terminals	Jumper Links
TL495-XXXXYY-ZZ	(085)	0.85	△ 300 △ 289 △ 277 △ 266 △ 254 △ 240 △ 230 △ 220 △ 208	△ 346 △ 332 △ 318 △ 303 △ 290 △ 276 △ 267 △ 254 △ 240	A ₁ , B ₁ , C ₁ A ₁ , B ₁ , C ₁ A ₁ , B ₁ , C ₁ A ₂ , B ₂ , C ₂ A ₂ , B ₂ , C ₂ A ₂ , B ₂ , C ₂ A ₃ , B ₃ , C ₃ A ₃ , B ₃ , C ₃ A ₃ , B ₃ , C ₃	A ₆ - B ₁ ; B ₆ - C ₁ ; C ₆ - A ₁ A ₅ - B ₁ ; B ₅ - C ₁ ; C ₅ - A ₁ A ₄ - B ₁ ; B ₄ - C ₁ ; C ₄ - A ₁ A ₆ - B ₂ ; B ₆ - C ₂ ; C ₆ - A ₂ A ₅ - B ₂ ; B ₅ - C ₂ ; C ₅ - A ₂ A ₄ - B ₂ ; B ₄ - C ₂ ; C ₄ - A ₂ A ₆ - B ₃ ; B ₆ - C ₃ ; C ₆ - A ₃ A ₅ - B ₃ ; B ₅ - C ₃ ; C ₅ - A ₃ A ₄ - B ₃ ; B ₄ - C ₃ ; C ₄ - A ₃
	(110)	1.10				
	(125)	1.25				
	(150)	1.50				
	(200)	2.00				
	(225)	2.25				
	(260)	2.60				
	(285)	2.85				
Part No.	Rated Power		Rated Input Voltage (RYY)		Connections And Links	
	(XXX)	kVA	(M03)	(M07)	Feed Terminals	Jumper Links
TL495-XXXXYY-ZZ	(085)	0.85	Y 520 Y 500 Y 480 Y 460 Y 440 Y 420 Y 400 Y 380 Y 360	Y 600 Y 575 Y 550 Y 525 Y 500 Y 480 Y 460 Y 440 Y 415	A ₁ , B ₁ , C ₁ A ₁ , B ₁ , C ₁ A ₁ , B ₁ , C ₁ A ₂ , B ₂ , C ₂ A ₂ , B ₂ , C ₂ A ₂ , B ₂ , C ₂ A ₃ , B ₃ , C ₃ A ₃ , B ₃ , C ₃ A ₃ , B ₃ , C ₃	A ₆ - B ₆ - C ₆ A ₅ - B ₅ - C ₅ A ₄ - B ₄ - C ₄ A ₆ - B ₆ - C ₆ A ₅ - B ₅ - C ₅ A ₄ - B ₄ - C ₄ A ₆ - B ₆ - C ₆ A ₅ - B ₅ - C ₅ A ₄ - B ₄ - C ₄
	(110)	1.10				
	(125)	1.25				
	(150)	1.50				
	(200)	2.00				
	(225)	2.25				
	(260)	2.60				
	(285)	2.85				

Note: Y / △ disconnecting links are not included in the scope of supply.

Version 2:



Part No.	Rated Power		Rated Input Voltage (RYY)		Connections And Links	
	(XXX)	kVA	(M02)	(M04)	Feed Terminals	Jumper Links
TL495-XXXXYY-ZZ	(085)	0.85				
	(110)	1.10				
	(125)	1.25	△ 208	△ 240	A ₈ , B ₈ , C ₈	A ₈ -A ₄ -C ₇ -C ₃ ; B ₈ -B ₄ -A ₇ -A ₃ ; C ₈ -C ₄ -B ₇ -B ₃
	(150)	1.50	△ 230	△ 260	A ₈ , B ₈ , C ₈	A ₈ -A ₄ -C ₆ -C ₂ ; B ₈ -B ₄ -A ₆ -A ₂ ; C ₈ -C ₄ -B ₆ -B ₂
	(200)	2.00	△ 240	△ 300	A ₈ , B ₈ , C ₈	A ₈ -A ₄ -C ₅ -C ₁ ; B ₈ -B ₄ -A ₅ -A ₁ ; C ₈ -C ₄ -B ₅ -B ₁
	(225)	2.25	△ 416	△ 480	A ₈ , B ₈ , C ₈	A ₈ -C ₃ , C ₄ -C ₇ , C ₈ -B ₃ , B ₄ -B ₇ , B ₈ -A ₃ , A ₄ -A ₇
	(260)	2.60	△ 460	△ 520	A ₈ , B ₈ , C ₈	A ₈ -C ₂ , C ₄ -C ₆ , C ₈ -B ₂ , B ₄ -B ₆ , B ₈ -A ₂ , A ₄ -A ₆
	(285)	2.85	△ 480	△ 600	A ₈ , B ₈ , C ₈	A ₈ -C ₁ , C ₄ -C ₅ , C ₈ -B ₁ , B ₄ -B ₅ , B ₈ -A ₁ , A ₄ -A ₅

Note: Y / △ disconnecting links are not included in the scope of supply.

Available Of Rated Output Voltage For Standard Program

Part No.	Rated Power		Rated Output Voltage		Connections And Links	
	(XXX)	kVA	(ZZ)	V	Feed Terminals	Jumper Links
TL495-XXXXRY-Y-ZZ	(085)	0.85	(01)	Y 42 △ 24 ⁶	a ₁ , b ₁ , c ₁ a ₁ , b ₁ , c ₁	a ₂ - b ₂ - c ₂ a ₂ - b ₁ ; b ₂ - c ₁ ; c ₂ - a ₁
	(110)	1.10	(02)	Y 84 △ 48 ⁷	a ₁ , b ₁ , c ₁ a ₁ , b ₁ , c ₁	a ₂ - b ₂ - c ₂ a ₂ - b ₁ ; b ₂ - c ₁ ; c ₂ - a ₁
			(03)	Y 173 △ 100	a ₁ , b ₁ , c ₁ a ₁ , b ₁ , c ₁	a ₂ - b ₂ - c ₂ a ₂ - b ₁ ; b ₂ - c ₁ ; c ₂ - a ₁
	(125)	1.25	(04)	Y 200 △ 115	a ₁ , b ₁ , c ₁ a ₁ , b ₁ , c ₁	a ₂ - b ₂ - c ₂ a ₂ - b ₁ ; b ₂ - c ₁ ; c ₂ - a ₁
			(150)	1.50	(05)	Y 380 △ 220
	(200)	2.00			(06)	Y 400 △ 230
			(225)	2.25	(07)	Y 415 △ 240
	(260)	2.60			(08)	Y 440 △ 254
			(285)	2.85	(09)	Y 460 △ 265
	(10)	Y 480 △ 277			a ₁ , b ₁ , c ₁ a ₁ , b ₁ , c ₁	a ₂ - b ₂ - c ₂ a ₂ - b ₁ ; b ₂ - c ₁ ; c ₂ - a ₁
	(11)	Y 520 △ 300	a ₁ , b ₁ , c ₁ a ₁ , b ₁ , c ₁	a ₂ - b ₂ - c ₂ a ₂ - b ₁ ; b ₂ - c ₁ ; c ₂ - a ₁		

- Note:
- (1) Other output voltage can be provided upon request.
 - (2) Multiple outputs can be provided upon request.
 - (3) Y / △ disconnecting links are not included in the scope of supply.
 - (4) Input & output connection:
 - Screw-type terminals
 - Flat-type (6.3 x 0.8) connectors
 - (5) Finger-safe terminal blocks according to EN 50274 are labelled with numerical labels.
 - (6) Output △ 24V is only available for 0.85kVA.
 - (7) Output △ 48V is available for 1.5kVA or less.