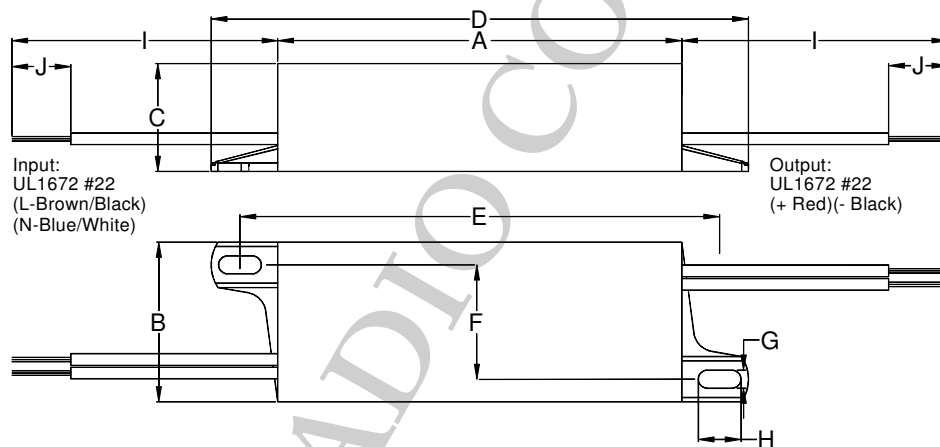




TL320 Series

- Input Voltage : 115V/230V 50/60HZ
- Dimming Range : 100%~25% (typ.)
- No- Load Power : <0.3W
- Power Factor : >0.9
- Protection : SCP,OLP,OVP,OTP
- Dielectric Strength: 4000V
- Ambient temperature (ta) -20°C - +45°C
- Class Of Protection : IP20 / IP65
- Agency approvals
 - TUV / CE: EN61347 / EN62493 / EN61000 / EN55015 / EN61547



Product Series	Dimension (mm)										Weight (g)
	A	B	C	D	E	F	G	H	I	J	
TL320	103.0	37.0	32.5	125.0	115.0	25.5	4.2	7.0	80.0	7.0	230
Tolerance	±1.0	±1.0	±1.0	±1.0	±1.0	±0.5	±0.5	±0.5	±10.0	±2.0	Approx.

Part Number	Input	Output			Efficiency (%)	P.F.	Number of LEDs (In Series)
	Voltage (AC Volt)	Voltage (DC Volt)	Current (DC mA) +/-5%	Power (Watt)			
TL320U-042-331 TL320U-042-661 TL320U-042-991	100 ~ 120	32 ~ 42	330 660 990	13.9 27.7 41.6	> 82	> 0.90	10 ~ 12
TL320E-042-331 TL320E-042-661 TL320E-042-991	200 ~ 240	32 ~ 42	330 660 990	13.9 27.7 41.6	> 82	> 0.90	10 ~ 12

Remarks: 1) Dimmer types are well recommended for all LED Lighting applications.

2) Without dimming functions if suffix " A " shows on p/n, e.g. TL320E-048-331A

3) Protection class IP65 is available if suffix " P " shows on p/n, e.g. TL320E-048-331P