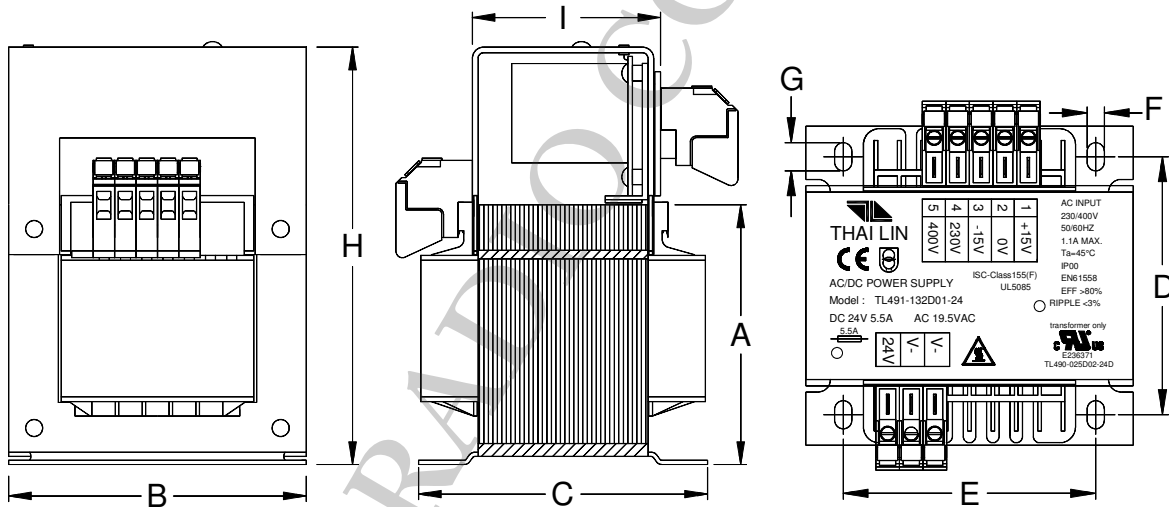


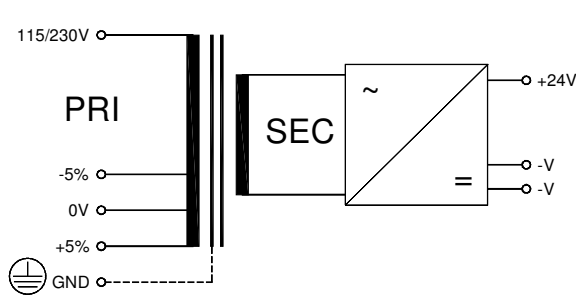
TL491 Series

- Rating Power – 24V@5.5A ~ 12.5A
- Frequency – 50/60 Hz
- High Efficiency
- High overload capacity
- DC OK signaling via LEDs
- Capacitor accessories
- Varistor wiring
- Ambient temperature (ta) – 45°C
- Insulation class – class F (155°C)
- Dielectric strength – 4000Vrms
- Degree of protection – IP00
- Agency Approvals (transformer only)
 - UL: UL 5085-1/-2
 - C-UL: CSA C22.2 #66.1-06 / #66.2-06

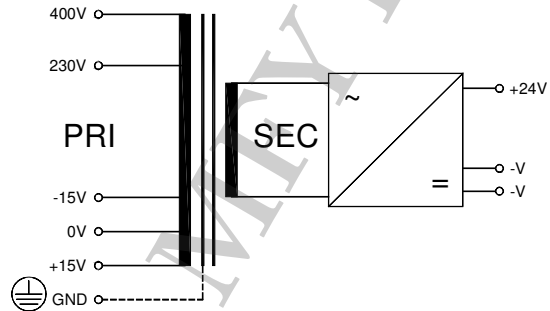


Product Series	Rated Power (W)	Dimension (mm)									No. of output terminals		Weight (kg)
		A	B	C	D	E	F	G	H	I	+V	-V	
TL491-132	132	87	96	101	86	84	5.8	10	143	66.5	1	2	3.9
TL491-180	180	96	105	103	85.6	80.2	5.8	12	155	65	2	2	4.6
TL491-240	240	105	117	102	85	90	5.8	12	175	62	2	2	5.4
TL491-300	300	105	117	121	104	90	5.8	12	175	81	2	2	7.0
Tolerance (mm)	-	typ.	typ.	typ.	typ.	typ.	±0.5	±1.0	typ.	typ.	-	-	approx.

CIRCUIT DIAGRAM.



Single style input (A)



Double style input (B)

PART NUMBER	RATED POWER (W)	RATED INPUT VOLTAGE (Vrms)	RATED OUTPUT VOLTAGE (VDC)	RATED OUTPUT CURRENT (ADC)	EFFICIENCY (%)	RIPPLE FACTOR (%)	ELECTRICAL DIAGRAM
TL491-132S03-24	132	115 ±5%	24	5.5	>80	<3	A
TL491-180S03-24	180			7.5			
TL491-240S03-24	240			10.0			
TL491-300S03-24	300			12.5			
TL491-132S07-24	132	230 ±5%	24	5.5	>80	<3	A
TL491-180S07-24	180			7.5			
TL491-240S07-24	240			10.0			
TL491-300S07-24	300			12.5			
TL491-132D01-24	132	230/400 ±15V	24	5.5	>80	<3	B
TL491-180D01-24	180			7.5			
TL491-240D01-24	240			10.0			
TL491-300D01-24	300			12.5			

Note:

- 1) Safety isolating transformer meets to DIN EN61558-2-6, UL5085-1/-2, CSA22.2 NO.66
- 2) Insulation class: Class F (155°C)
- 3) Dielectric strength: 4000Vrms
- 4) Non-Short-Circuit Proof
- 5) Protection Index: IP00
- 6) Input & Output Connections:
Screw-Type Terminals
Flat-Type (6.3*0.8) Connectors
- 7) Touch-Safe screw terminal blocks according to DIN EN 50274
- 8) RoHS complied
- 9) Can be supplied without input taps for single / double style input, add suffix "A" in P/N. (TL491-132S03-24A)
- 10) Fixing method: Base plate & M5 fixing screws.