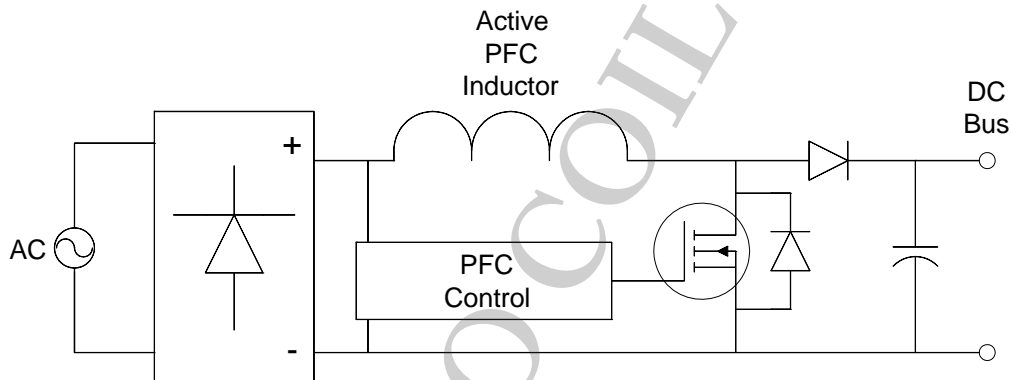




TL427 Series

- Rated voltage : 250Vac (50/60Hz) / 350Vdc
- Insulation material class B (130°C)
- Low leakage flux & high saturation current
- Low parasitic capacitance winding
- High thermal stability due to complete potting
- Climatic category: 40/125/56 (IEC 60068-1)
- With RoHS complied
- Custom-made choke are available upon request

Circuit Diagram



Physical Dimension (for TL427A – TL427C series)

Vertical Version		
Horizontal Version		

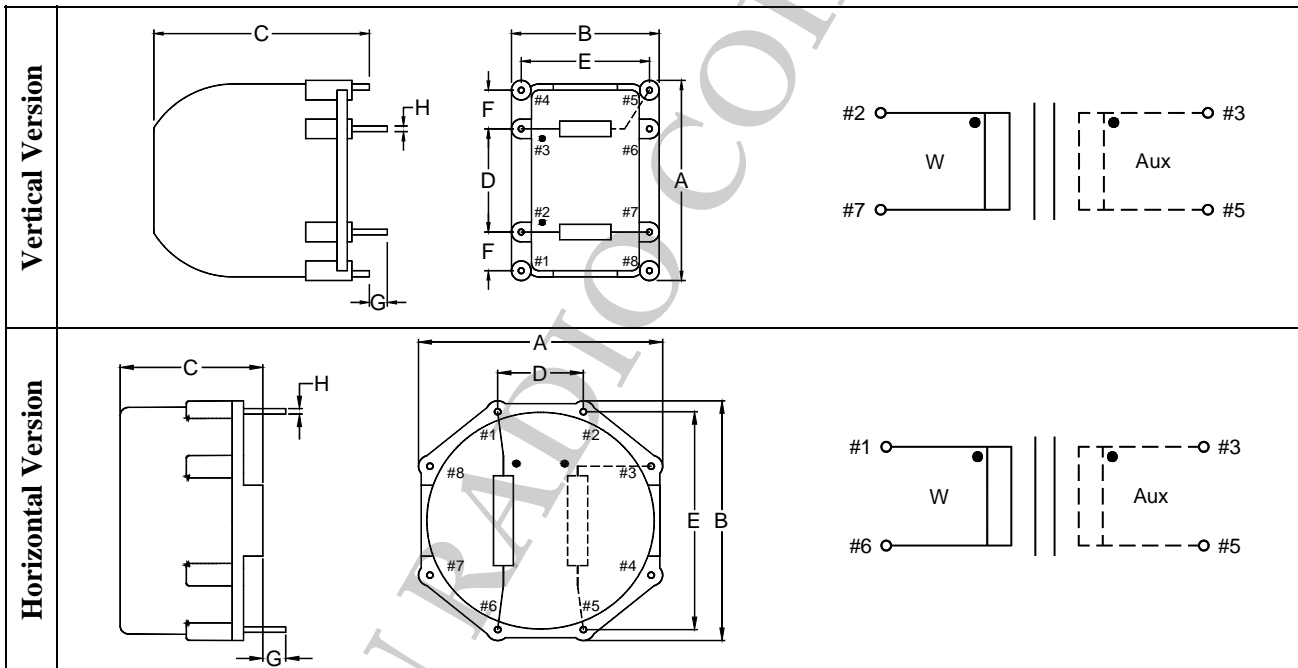
Note: (1) It can be applied with Aux winding, add suffix “2” in P/N, e.g. “TL427A-020-013V2” or “TL427A-020-013H2”.

(2) Normally Aux. winding could be verified with the turn ratio 9:1.

Product Series		Dimension (mm)								Weight (g)
		A	B	C	D	E	F	G	H	
TL427A	Ver.	24.0	16.2	26.0	10.0	12.5	5.0	3.5	∅0.8	17
	Hor.	23.5	25.0	16.5	12.5	20.0	--	3.5	∅0.8	16
TL427B	Ver.	28.0	19.0	30.0	12.5	15.0	5.0	3.5	∅0.8	27
	Hor.	28.0	29.3	18.5	15.0	25.0	--	3.5	∅0.8	23
TL427C	Ver.	33.0	21.6	37.0	12.5	17.5	7.5	3.5	∅0.8	46
	Hor.	33.0	34.2	20.5	20.0	30.0	--	3.5	∅0.8	42
Tolerance		max.	max.	max.	± 0.5	± 0.5	± 0.5	± 1.0	± 0.1	approx.

Note: Unused pins are omitted for standard parts. Unused pins can be provided on request.

(for TL427D – TL427F series)



Note: (1) It can be applied with Aux winding, add suffix "2" in P/N, e.g. "TL427D-070-013V2" or "TL427D-070-013H2".

(2) Normally Aux. winding could be verified with the turn ratio 9:1.

Product Series		Dimension (mm)								Weight (g)
		A	B	C	D	E	F	G	H	
TL427D	Ver.	40.3	30.3	43.5	20.0	25.0	7.5	3.5	SQ1.0	85
	Hor.	40.5	40.5	29.0	12.5	35.0	--	3.5	SQ1.0	75
TL427E	Ver.	46.0	32.8	51.5	25.0	27.5	7.5	3.5	SQ1.0	140
	Hor.	47.5	47.5	31.5	17.5	42.0	--	3.5	SQ1.0	125
TL427F	Ver.	54.3	36.8	59.3	25.0	31.5	12.0	3.5	SQ1.0	240
	Hor.	53.5	53.5	36.5	22.5	48.0	--	3.5	SQ1.0	210
Tolerance		max.	max.	max.	± 0.5	± 0.5	± 0.5	± 1.0	± 0.1	approx.

Note: Unused pins are omitted for standard parts. Unused pins can be provided on request.

Part Number Designation:

TL427X-RRR-ZZZY

Where TL427 = Series
 X = Case size
 RRR = Current
 ZZZ = 3 digit number indicate the inductance with DC bias
 (012) = MPP core
 (013) = High Flux core
 (014) = Sendust core
 Y = H : Horizontal
 V : Vertical

Part Number	Nominal Current I _{dc} (A)	Inductance L _o (μH)	DC Resistance (mΩ, nominal)	Inductance (with dc bias) L _{dc} (μH)			Aux Winding
				(012)	(013)	(014)	
TL427A-005-ZZZY	0.5	1281	757	1175	1175	935	(Y/N)
TL427A-008-ZZZY	0.8	890	550	770	850	605	(Y/N)
TL427A-010-ZZZY	1.0	643	373	550	625	420	(Y/N)
TL427A-015-ZZZY	1.5	320	204	265	275	205	(Y/N)
TL427A-020-ZZZY	2.0	222	132	175	185	130	(Y/N)
TL427B-010-ZZZY	1.0	1530	550	1120	1400	885	(Y/N)
TL427B-015-ZZZY	1.5	822	320	570	735	440	(Y/N)
TL427B-020-ZZZY	2.0	550	200	375	495	275	(Y/N)
TL427B-025-ZZZY	2.5	435	150	260	375	195	(Y/N)
TL427B-030-ZZZY	3.0	244	96	165	215	125	(Y/N)
TL427C-015-ZZZY	1.5	1774	456	1225	1545	830	(Y/N)
TL427C-020-ZZZY	2.0	947	270	670	830	475	(Y/N)
TL427C-025-ZZZY	2.5	485	107	360	430	255	(Y/N)
TL427C-030-ZZZY	3.0	378	75	275	335	195	(Y/N)
TL427C-040-ZZZY	4.0	262	50	180	225	125	(Y/N)
TL427D-030-ZZZY	3.0	367	112	340	355	295	(Y/N)
TL427D-040-ZZZY	4.0	316	82	275	295	235	(Y/N)
TL427D-050-ZZZY	5.0	226	56	200	210	170	(Y/N)
TL427D-060-ZZZY	6.0	151	34	135	145	115	(Y/N)
TL427D-070-ZZZY	7.0	120	25	105	115	95	(Y/N)
TL427E-040-ZZZY	4.0	610	110	520	565	425	(Y/N)
TL427E-050-ZZZY	5.0	483	70	380	395	315	(Y/N)
TL427E-070-ZZZY	7.0	371	55	260	315	215	(Y/N)
TL427E-080-ZZZY	8.0	273	39	185	235	155	(Y/N)
TL427E-100-ZZZY	10.0	123	20	100	110	85	(Y/N)
TL427F-050-ZZZY	5.0	810	86	680	720	565	(Y/N)
TL427F-060-ZZZY	6.0	641	68	510	555	420	(Y/N)
TL427F-080-ZZZY	8.0	492	53	355	430	290	(Y/N)
TL427F-120-ZZZY	12.0	363	35	215	300	175	(Y/N)
TL427F-150-ZZZY	15.0	254	24	145	195	115	(Y/N)

Note: (1) Testing condition of inductance: 10kHz, 0.1V.
 (2) DC resistance is measured at room temperature 25°C.