

THAI LIN RADIO

since 1975

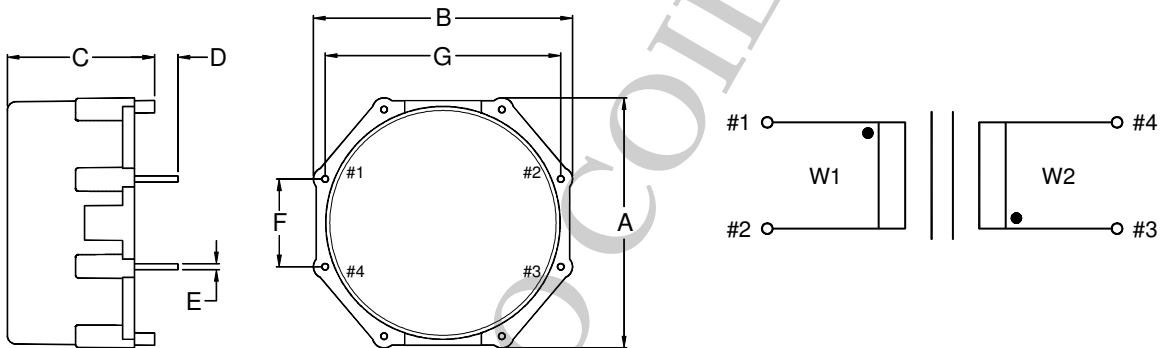
ENCAPSULATED
DIFFERENTIAL-MODE
CHOKE



TL505 / 506 Series

NEW

- Rated voltage : 250V_{AC}, 50/60Hz
- Dielectric strength : 2000V_{rms}
- Insulation Class : Class B (130°C)
- Ambient temperature : +40°C
- Storage temperature : -25°C ~ +40°C
- High thermal stability due to complete potting
- Design Complies with EN60938-2 (VDE 0565-2)



Product Series	Dimension (mm)							Weight (g)
	A	B	C	D	E	F	G	
TL505	42.7	44.0	25.0	3.5	SQ1.0	15.0	40.0	100.0
TL506	42.7	44.0	30.0	3.5	SQ1.0	15.0	40.0	125.0
Tolerance	±1.0	±1.0	±1.0	±1.0	±0.1	±0.5	±0.5	approx.

Part Number	Inductance (mH)	Current (A)	DC Resistance (Ω, max.)
TL505-010-332	2 x 3.3	1.0	1.40
TL505-020-102	2 x 1.0	2.0	0.49
TL505-030-501	2 x 0.5	3.0	0.20
TL505-040-301	2 x 0.3	4.0	0.111
TL505-050-121	2 x 0.12	5.0	0.055
TL505-060-051	2 x 0.05	6.0	0.030
TL506-010-502	2 x 5.0	1.0	1.95
TL506-020-122	2 x 1.2	2.0	0.55
TL506-030-701	2 x 0.7	3.0	0.27
TL506-040-401	2 x 0.4	4.0	0.15
TL506-050-251	2 x 0.25	5.0	0.092
TL506-060-151	2 x 0.15	6.0	0.055
TL506-080-101	2 x 0.10	8.0	0.033
TL506-100-031	2 x 0.03	10.0	0.014

Note: 1. Rated inductance is specified per winding at 10kHz, 0.1V.
2. DC resistance is measured at 20 °C, typical values, specified per winding.