



## TL80 Series

- Frequency range: 50 ~ 400Hz
- Insulation : 0.6kV, BIL 10kV full wave
- Well-suited for current monitoring applications.
- Ten different window openings and eight different mounting styles are available.
- Numerous secondary ratios are available to meet most application.
- Custom-made current transformers are available upon request.
- Agency approvals
  - UL: UL61010B-1
  - C-UL: CSA C22.2 #1010-1

### Part number designation:

TL80-xx-yyy-zzzz

where xx = Series Number (two characters)

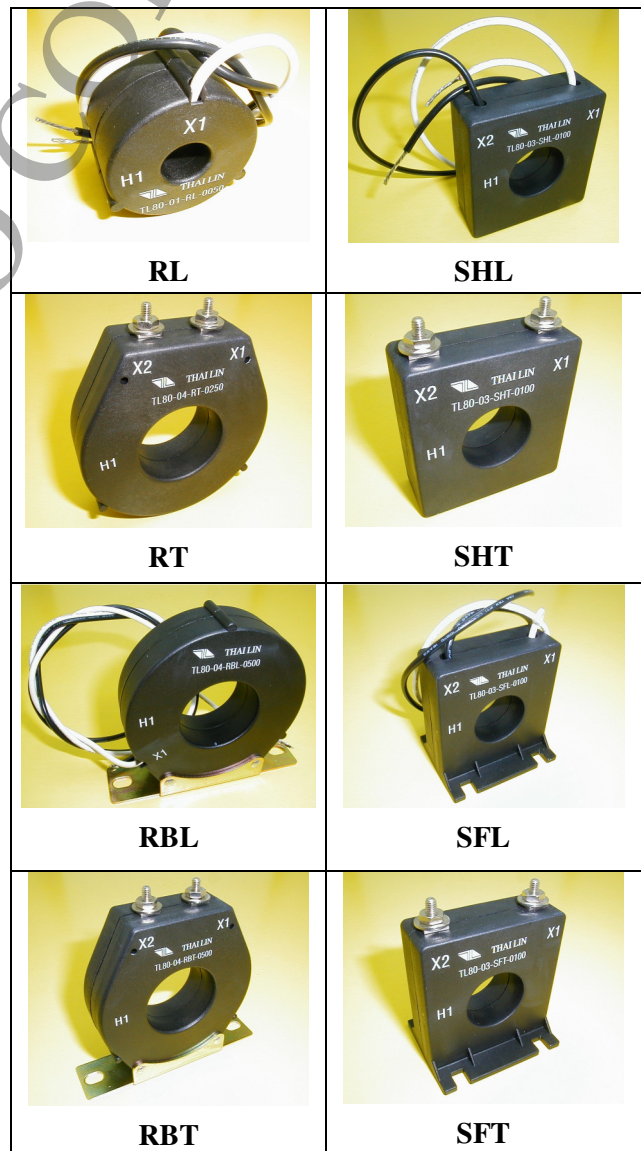
Series Number	Window Diameter
01	16mm
02	25mm
03	28mm
04	39mm
05	52mm
06	53mm
07	63mm
08	76mm
09	83mm
10	108mm

yyy= Mounting Styles  
(two or three characters)

RL	: Round with leads
RT	: Round with terminals
RBL	: Round with bracket & leads
RBT	: Round with bracket & terminals
SHL	: Square without feet & with leads
SHT	: Square without feet & with terminals
SFL	: Square with feet & with leads
SFT	: Square with feet & with terminals

zzzz = Primary Current Rating  
(in ampere, four characters)

Example: TL80-01-RL-0050  
(01 series/RL mounting/primary current rated 50A)



Product Series	Mounting Style								Current Ratio
	RL	SFT	SFL	SHT	SHL	RT	RBT	RBL	
TL80-01	●								50 : 5
									60 : 5
									75 : 5
									80 : 5
									100 : 5
									120 : 5
									125 : 5
									150 : 5
									200 : 5
									250 : 5
TL80-02	●								50 : 5
									60 : 5
									75 : 5
									80 : 5
									100 : 5
									120 : 5
									125 : 5
									150 : 5
									200 : 5
									250 : 5
TL80-03	●	●	●	●	●				50 : 5
									60 : 5
									75 : 5
									80 : 5
									100 : 5
									120 : 5
									125 : 5
									150 : 5
									200 : 5
									250 : 5
TL80-04	●	●	●	●	●	●	●	●	50 : 5
									75 : 5
									100 : 5
									150 : 5
									200 : 5
									250 : 5
									300 : 5
									400 : 5
									500 : 5
									600 : 5
750 : 5									
TL80-05	●	●	●					●	50 : 5
									75 : 5
									100 : 5
									150 : 5
									200 : 5
									250 : 5
									300 : 5
									400 : 5
									500 : 5
									600 : 5
750 : 5									
TL80-05	●	●	●					●	800 : 5
									1000 : 5
									1200 : 5

● - available

Product Series	Mounting Style							Current Ratio	
	RL	SFT	SFL	SHT	SHL	RT	RBT		RBL
TL80-06	●	●	●	●	●				100 : 5
									150 : 5
									200 : 5
									250 : 5
									300 : 5
									400 : 5
									500 : 5
									600 : 5
									750 : 5
									800 : 5
									1000 : 5
TL80-07	●	●	●	●	●	●	●	●	100 : 5
									150 : 5
									200 : 5
									250 : 5
									300 : 5
									400 : 5
									500 : 5
									600 : 5
									750 : 5
									800 : 5
									1000 : 5
TL80-08	●	●	●				●	●	1000 : 5
									1200 : 5
									1500 : 5
									1600 : 5
									200 : 5
									250 : 5
									300 : 5
									400 : 5
									500 : 5
									600 : 5
									750 : 5
TL80-09	●			●	●				200 : 5
									250 : 5
									300 : 5
									400 : 5
									500 : 5
									600 : 5
									750 : 5
									800 : 5
									1000 : 5
									1200 : 5
									1500 : 5
TL80-10	●			●	●				2000 : 5
									200 : 5
									250 : 5
									300 : 5
									400 : 5
									500 : 5
									600 : 5
									750 : 5
									800 : 5
									1000 : 5
									1200 : 5

● - available

### Polarity:

Fig. 1 shows the internal construction of a current transformer.

One face of the transformer is identified as H1 and the opposite face is identified as H2. The secondary leads are identified as X1 and X2.

Current flowing out of terminal X1 will have the same polarity as current flowing into terminal H1.

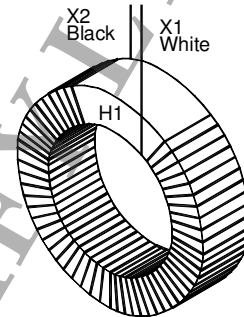
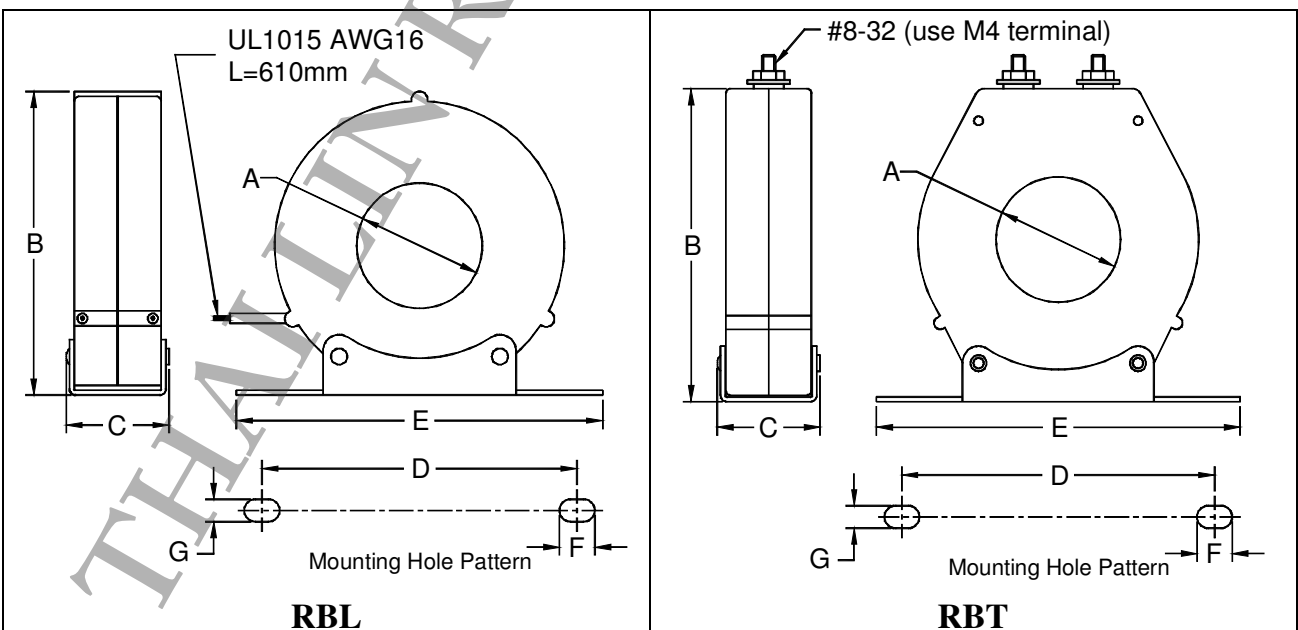
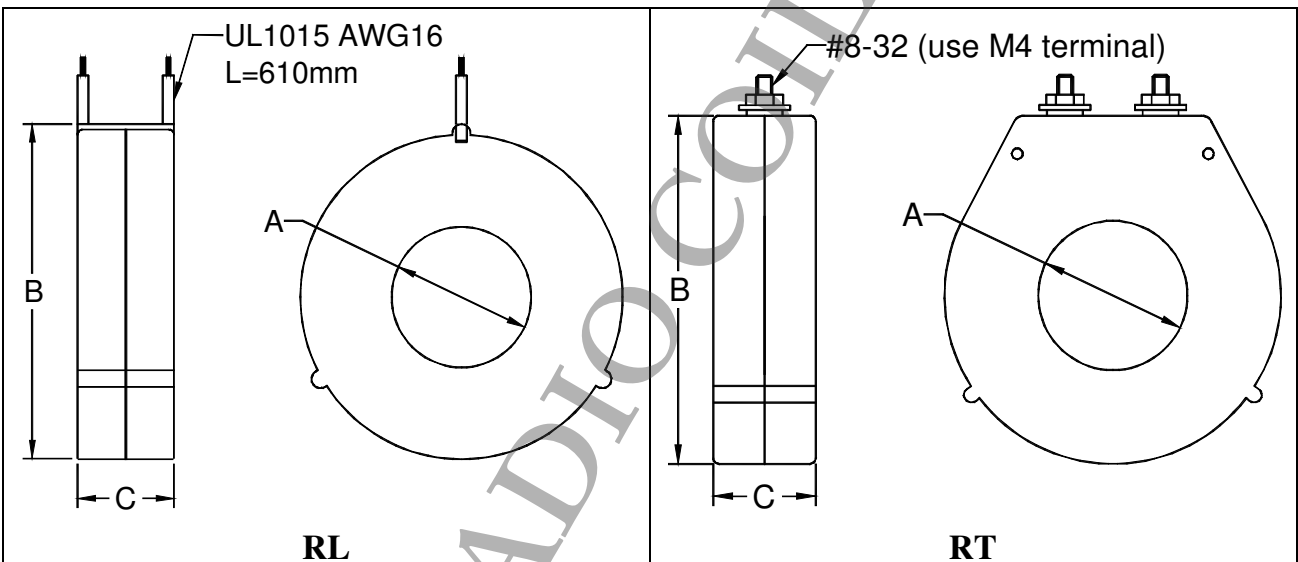
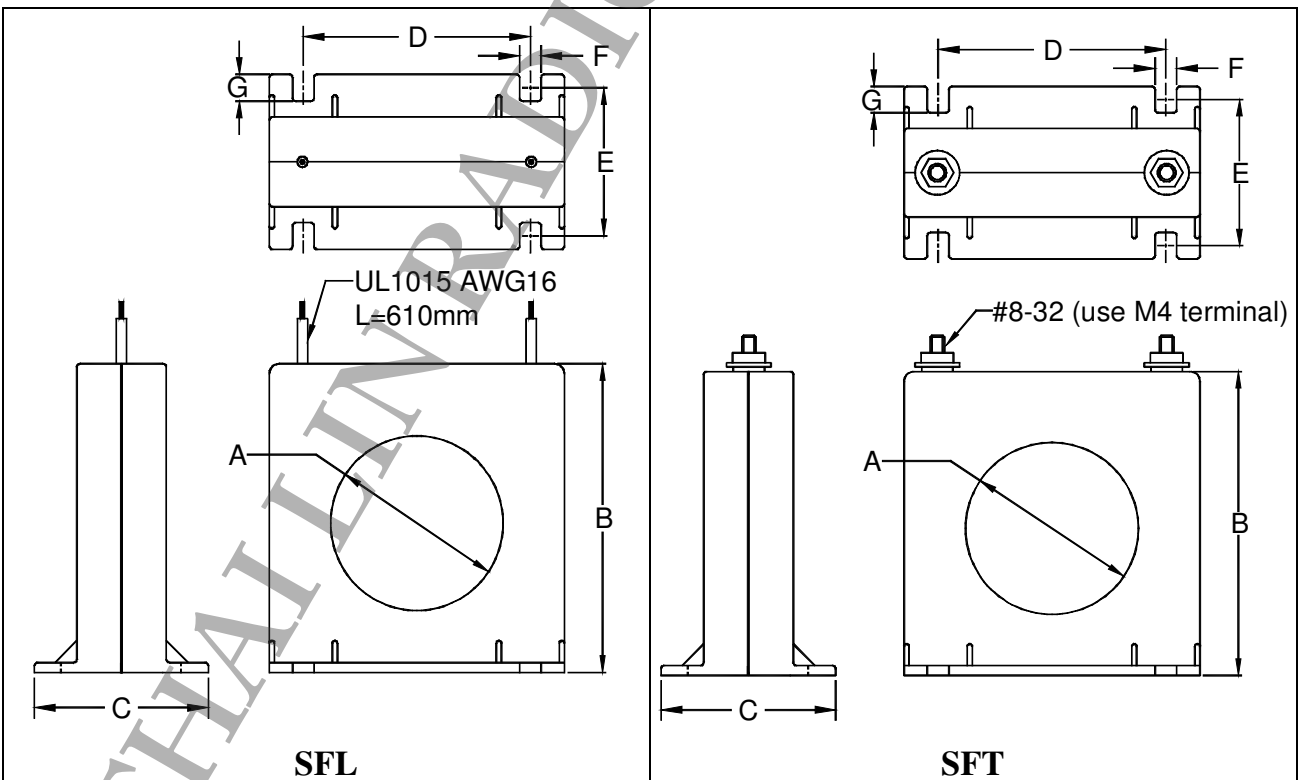
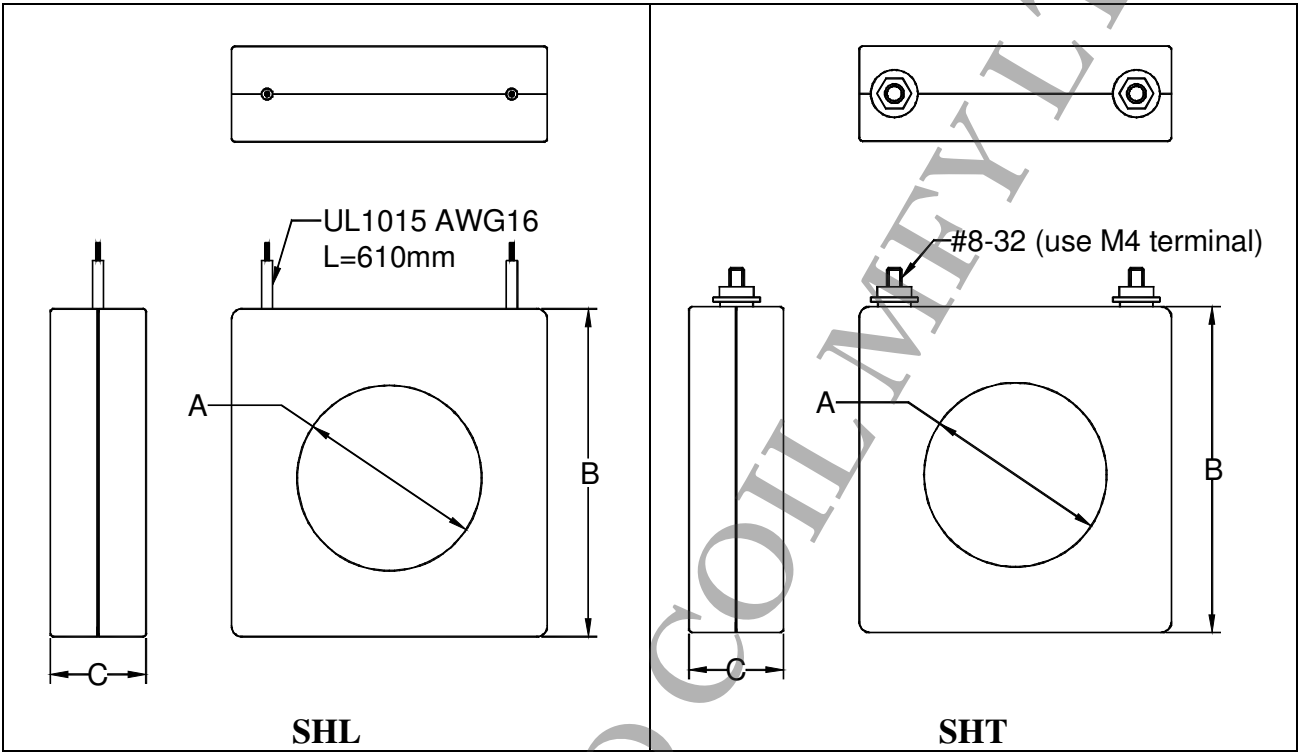


Fig. 1

### Outline Drawings:



**Outline Drawings:**



**Dimensions:**

Window (Ø, in mm)	Product Series	Mounting Style	Dimension (mm)							Weight (g) approx.
			A	B	C	D	E	F	G	
16	TL80-01	RL	Ø16	56	31	-	-	-	-	170
25	TL80-02	RL	Ø25	68	44	-	-	-	-	330
28	TL80-03	RL	Ø28	68	26	-	-	-	-	180
		SFT			51	44.5	43	6.5	8	
		SFL			51	-	-	-	-	
		SHT			24	-	-	-	-	
		SHL			24	-	-	-	-	
39	TL80-04	RL	Ø39	96	27	-	-	-	-	420
		SFT		97	55	70	46	6.5	8	
		SFL			-	-	-	-	-	
		SHT		91	27	-	-	-	-	
		SHL			98	98	114	11	7	
		RT			98	-	-	-	-	
		RBT			100	-	-	-	-	
		RBL		100	-	-	-	-		
52	TL80-05	RL	Ø52	94	27	-	-	-	-	300
		SFT		92	53	68.5	44	6.5	8	
		SFL		91	-	-	-	-	-	
		RT			27	98	114	11	7	
		RBT			98	-	-	-	-	
		RBL			96	-	-	-	-	
53	TL80-06	RL	Ø53	109	27	-	-	-	-	610
		SFT		107	54	85	45	6.5	8	
		SFL			27	-	-	-	-	
		SHT		117	-	-	-	-	-	
		SHL			125	27	-	-	-	
63	TL80-07	RL	Ø63	125	27	-	-	-	-	670
		SFT		119	54	96	46	6.5	8	
		SFL			-	-	-	-	-	
		SHT		117	27	-	-	-	-	
		SHL			136	146	165	11	7	
		RT			130	-	-	-	-	
		RBT			130	-	-	-	-	
		RBL		130	-	-	-	-		
76	TL80-08	RL	Ø76	120	27	-	-	-	-	490
		SFT		119	53	96	45	6.5	8	
		SFL			117	-	-	-	-	
		RT		124	27	146	165	11	7	
		RBT			-	-	-	-	-	
		RBL			-	-	-	-	-	
RBL	-	-	-		-	-				
83	TL80-09	RL	Ø83	156	29.5	-	-	-	-	1200
		SHT		146		-	-	-	-	
		SHL		146		-	-	-	-	
108	TL80-10	RL	Ø108	181	32.5	-	-	-	-	1650
		SHT		171	33	-	-	-	-	
		SHL			33	-	-	-	-	

