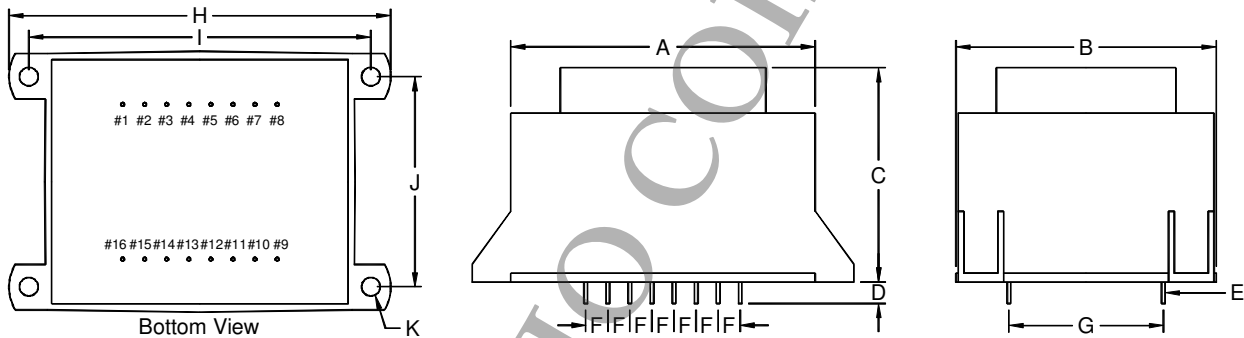


### Type EI66 / 23

- Power – 30/36VA
- Frequency – 50/60 Hz
- Temperature class – Class B (130°C)
- Ambient temperature (ta) – 40°C
- Dielectric strength – 4000Vrms
- Potted under vacuum
- Agency approvals
  - TUV / CE: EN61558 / EN60950
  - UL: UL506; UL5085-1 / -2
  - C-UL: CSA C22.2 #66 / #66.1 / #66.2

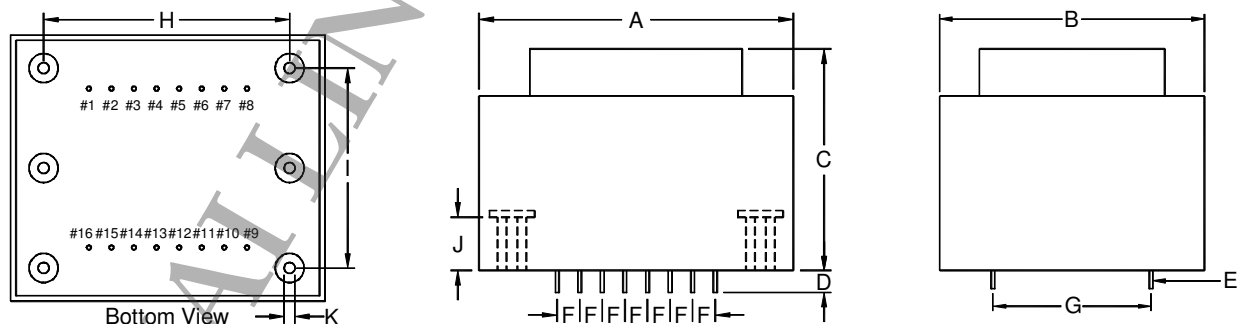
### Potting Shell – Type A



	A	B	C	D	E	F	G	H	I	J	K	Weight (g)
<b>Dimension (mm)</b>	70.0	59.0	48.5	4.0	φ0.8	5.0	35.0	88.0	77.5	47.5	φ4.2	750
<b>Tolerance (mm)</b>	±1.0	±1.0	±1.0	±1.0	±0.1	±0.2	±0.5	max.	±0.5	±0.5	±0.2	approx.

Note: Unused pins are omitted for standard parts. Unused pins can be provided upon request.

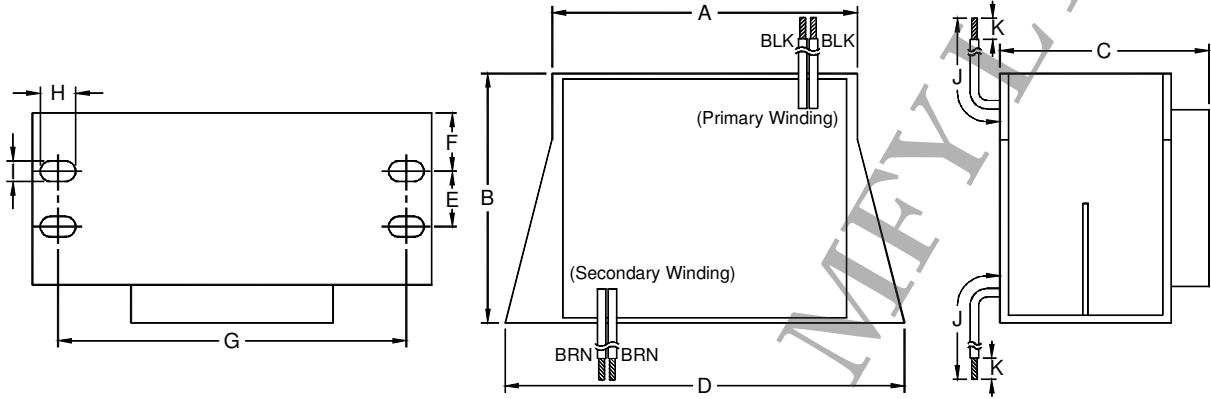
### Potting Shell – Type B



	A	B	C	D	E	F	G	H	I	J	K	Weight (g)
<b>Dimension (mm)</b>	70.0	59.0	48.8	4.0	φ0.8	5.0	35.0	55.0	44.0	10.4	φ2.4	750
<b>Tolerance (mm)</b>	±1.0	±1.0	±1.0	±1.0	±0.1	±0.2	±0.5	±1.0	±1.0	min.	±0.2	approx.

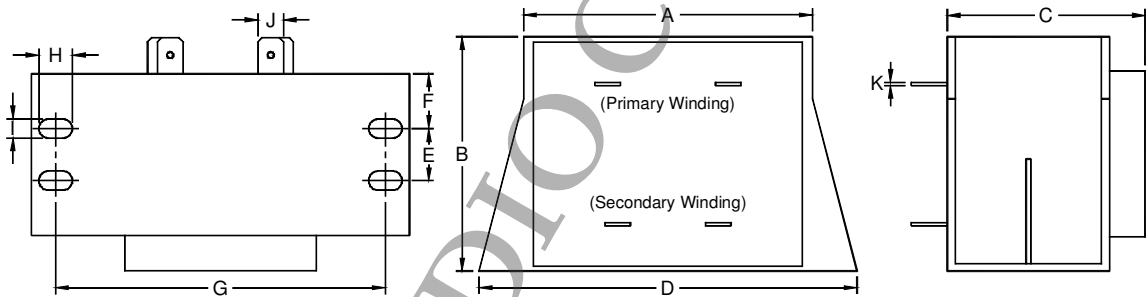
Note: Unused pins are omitted for standard parts. Unused pins can be provided upon request.

## Style – Flying Lead



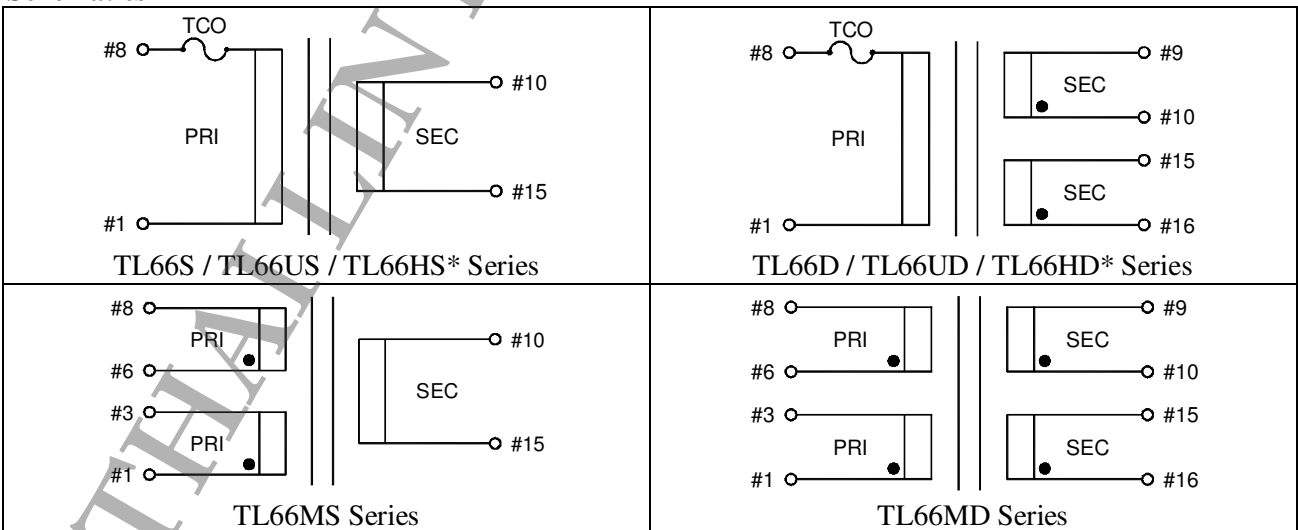
	A	B	C	D	E	F	G	H	I	J	K	Weight (g)
Dimension (mm)	71.8	58.5	48.8	94.0	13.0	12.7	82.0	8.3	5.0	250	5.0	750
Tolerance (mm)	±1.0	±1.0	±1.0	±1.0	±1.0	typ.	±1.0	±0.5	±0.2	±10	±1.0	approx.

## Style – Faston Tab



	A	B	C	D	E	F	G	H	I	J	K	Weight (g)
Dimension (mm)	71.8	58.5	48.8	94.0	13.0	12.7	82.0	8.3	5.0	6.3	0.8	750
Tolerance (mm)	±1.0	±1.0	±1.0	±1.0	±1.0	typ.	±1.0	±0.5	±0.2	±0.2	±0.1	approx.

## Schematics



\* The TCO is omitted for the TL66HS & TL66HD series.

Pins Connection (for dual windings items)	Primary	In Series	Pin 1 – Pin 8 (Pins 3, 6 short)
		In Parallel	Pin 1 – Pin 8 (Pins 1, 6 short; Pins 3, 8 short)
	Secondary	In Series	Pin 10 – Pin 15 (Pins 9, 16 short)
		In Parallel	Pin 10 – Pin 15 (Pins 10, 16 short; Pins 9, 15 short)

### Part Number Designation

Four designations are available. Use TL66S-060-5000 as example:

- 1) TL66S-060-5000 = Potting Shell A
- 2) TL66S-060-5000 (SB) = Potting Shell B (with fixing rails)
- 3) TL66S-060-5000FL = Flying Lead Style
- 4) TL66S-060-5000FT = Faston Tab Style

Note:

- a) Flying lead style is only available for the single primary + single secondary items.
- b) Faston tab style is only available for the single primary + single secondary items.
- c) In case of need, please add the appropriate suffixes in the part number when ordering.

Product Series	Primary (V)	Single Secondary			Dual Secondary			ta (°C)	Agency Approval
		Part Number	Secondary Rating		Part Number	Secondary Rating			
			(V)	(mA)		(V)	(mA)		
30VA	230	TL66S-060-5000	6	5000	TL66D-060-2500	2 x 6	2500	40	TUV CE
		TL66S-072-4166	7.2	4166	TL66D-072-2083	2 x 7.2	2083		
		TL66S-090-3333	9	3333	TL66D-090-1666	2 x 9	1666		
		TL66S-100-3000	10	3000	TL66D-100-1500	2 x 10	1500		
		TL66S-120-2500	12	2500	TL66D-120-1250	2 x 12	1250		
		TL66S-150-2000	15	2000	TL66D-150-1000	2 x 15	1000		
		TL66S-180-1666	18	1666	TL66D-180-0833	2 x 18	833		
		TL66S-240-1250	24	1250	TL66D-240-0625	2 x 24	625		
	115	TL66US-060-5000	6	5000	TL66UD-060-2500	2 x 6	2500	40	UL506 UI5085-1/-2 C-UL
		TL66US-072-4166	7.2	4166	TL66UD-072-2083	2 x 7.2	2083		
		TL66US-090-3333	9	3333	TL66UD-090-1666	2 x 9	1666		
		TL66US-100-3000	10	3000	TL66UD-100-1500	2 x 10	1500		
		TL66US-120-2500	12	2500	TL66UD-120-1250	2 x 12	1250		
		TL66US-150-2000	15	2000	TL66UD-150-1000	2 x 15	1000		
		TL66US-180-1666	18	1666	TL66UD-180-0833	2 x 18	833		
		TL66US-240-1250	24	1250	TL66UD-240-0625	2 x 24	625		
	115 (Parallel) or 230 (Series)	TL66MS-060-5000	6	5000	TL66MD-060-2500	2 x 6	2500	40	UL5085-1/-2 C-UL TUV CE
		TL66MS-072-4166	7.2	4166	TL66MD-072-2083	2 x 7.2	2083		
		TL66MS-090-3333	9	3333	TL66MD-090-1666	2 x 9	1666		
		TL66MS-100-3000	10	3000	TL66MD-100-1500	2 x 10	1500		
		TL66MS-120-2500	12	2500	TL66MD-120-1250	2 x 12	1250		
		TL66MS-150-2000	15	2000	TL66MD-150-1000	2 x 15	1000		
		TL66MS-180-1666	18	1666	TL66MD-180-0833	2 x 18	833		
		TL66MS-240-1250	24	1250	TL66MD-240-0625	2 x 24	625		

- Note:
- 1) TL66S & TL66D series are fail-safe transformers.
  - 2) TL66MS, TL66MD, TL66HS & TL66HD series are non-short-circuit proof transformers.

Product Series	Primary (V)	Single Secondary			Dual Secondary			ta (°C)	Agency Approval
		Part Number	Secondary Rating		Part Number	Secondary Rating			
			(V)	(mA)		(V)	(mA)		
30VA	400	TL66HS-060-5000	6	5000	TL66HD-060-2500	2 x 6	2500	40	--
		TL66HS-072-4166	7.2	4166	TL66HD-072-2083	2 x 7.2	2083		
		TL66HS-090-3333	9	3333	TL66HD-090-1666	2 x 9	1666		
		TL66HS-100-3000	10	3000	TL66HD-100-1500	2 x 10	1500		
		TL66HS-120-2500	12	2500	TL66HD-120-1250	2 x 12	1250		
		TL66HS-150-2000	15	2000	TL66HD-150-1000	2 x 15	1000		
		TL66HS-180-1666	18	1666	TL66HD-180-0833	2 x 18	833		
		TL66HS-240-1250	24	1250	TL66HD-240-0625	2 x 24	625		
36VA	230	TL66S-060-6000	6	6000	TL66D-060-3000	2 x 6	3000	40	TUV CE
		TL66S-072-5000	7.2	5000	TL66D-072-2500	2 x 7.2	2500		
		TL66S-090-4000	9	4000	TL66D-090-2000	2 x 9	2000		
		TL66S-100-3600	10	3600	TL66D-100-1800	2 x 10	1800		
		TL66S-120-3000	12	3000	TL66D-120-1500	2 x 12	1500		
		TL66S-150-2400	15	2400	TL66D-150-1200	2 x 15	1200		
		TL66S-180-2000	18	2000	TL66D-180-1000	2 x 18	1000		
		TL66S-240-1500	24	1500	TL66D-240-0750	2 x 24	750		
	115	TL66US-060-6000	6	6000	TL66UD-060-3000	2 x 6	3000	40	UL506 UI5085-1/-2 C-UL
		TL66US-072-5000	7.2	5000	TL66UD-072-2500	2 x 7.2	2500		
		TL66US-090-4000	9	4000	TL66UD-090-2000	2 x 9	2000		
		TL66US-100-3600	10	3600	TL66UD-100-1800	2 x 10	1800		
		TL66US-120-3000	12	3000	TL66UD-120-1500	2 x 12	1500		
		TL66US-150-2400	15	2400	TL66UD-150-1200	2 x 15	1200		
		TL66US-180-2000	18	2000	TL66UD-180-1000	2 x 18	1000		
		TL66US-240-1500	24	1500	TL66UD-240-0750	2 x 24	750		
	115 (Parallel) or 230 (Series)	TL66MS-060-6000	6	6000	TL66MD-060-3000	2 x 6	3000	40	UL5085-1/-2 C-UL TUV CE
		TL66MS-072-5000	7.2	5000	TL66MD-072-2500	2 x 7.2	2500		
		TL66MS-090-4000	9	4000	TL66MD-090-2000	2 x 9	2000		
		TL66MS-100-3600	10	3600	TL66MD-100-1800	2 x 10	1800		
		TL66MS-120-3000	12	3000	TL66MD-120-1500	2 x 12	1500		
		TL66MS-150-2400	15	2400	TL66MD-150-1200	2 x 15	1200		
		TL66MS-180-2000	18	2000	TL66MD-180-1000	2 x 18	1000		
		TL66MS-240-1500	24	1500	TL66MD-240-0750	2 x 24	750		
400	TL66HS-060-6000	6	6000	TL66HD-060-3000	2 x 6	3000	40	--	
	TL66HS-072-5000	7.2	5000	TL66HD-072-2500	2 x 7.2	2500			
	TL66HS-090-4000	9	4000	TL66HD-090-2000	2 x 9	2000			
	TL66HS-100-3600	10	3600	TL66HD-100-1800	2 x 10	1800			
	TL66HS-120-3000	12	3000	TL66HD-120-1500	2 x 12	1500			
	TL66HS-150-2400	15	2400	TL66HD-150-1200	2 x 15	1200			
	TL66HS-180-2000	18	2000	TL66HD-180-1000	2 x 18	1000			
	TL66HS-240-1500	24	1500	TL66HD-240-0750	2 x 24	750			

Note: 1) TL66S & TL66D series are fail-safe transformers.  
2) TL66MS, TL66MD, TL66HS & TL66HD series are non-short-circuit proof transformers.