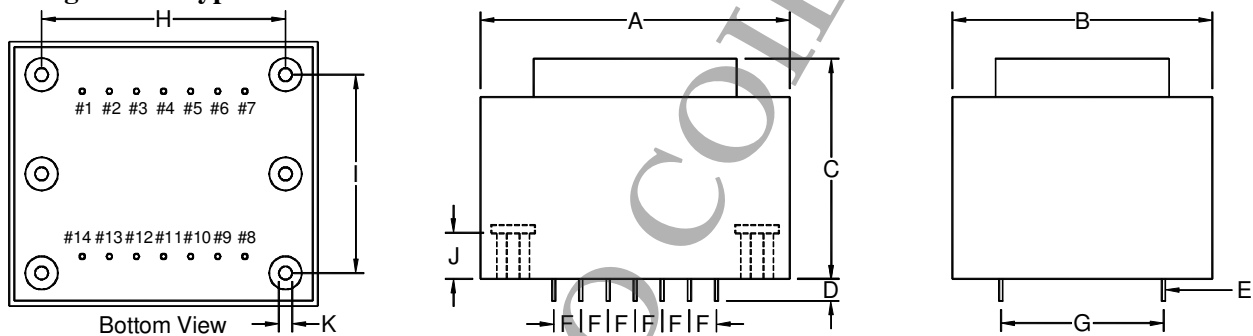


Type EI54 / 18.8

- Power – 16VA
- Frequency – 50/60 Hz
- Temperature class – Class B (130°C)
- Ambient temperature (ta) – 40°C / 70°C
- Dielectric strength – 4000Vrms
- Potted under vacuum
- Agency approvals
 - TUV / CE: EN61558 / EN60950
 - UL: UL506; UL5085-1 / -2
 - C-UL: CSA C22.2 #66 / #66.1 / #66.2

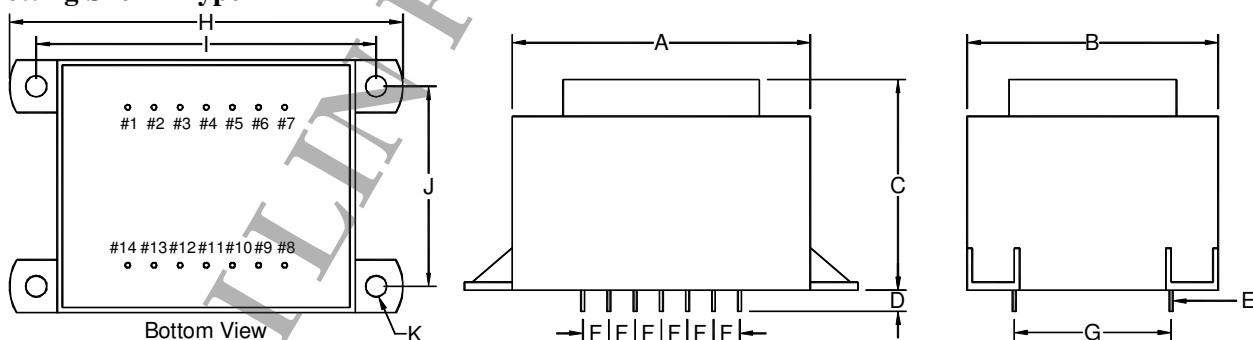
Potting Shell – Type A



	A	B	C	D	E	F	G	H	I	J	K	Weight (g)
Dimension (mm)	57.0	48.0	39.0	4.0	SQ0.64	5.0	30.0	45.0	36.0	7.8	φ2.4	410
Tolerance (mm)	±1.0	±1.0	±1.0	±1.0	±0.1	±0.2	±0.5	±1.0	±1.0	min.	±0.2	approx.

- Note: 1) Unused pins are omitted for standard parts. Unused pins can be provided upon request.
 2) The two fixing rails are omitted for standard parts (i.e. dimensions H, I, J & K are omitted for standard parts). The two fixing rails can be provided upon request.

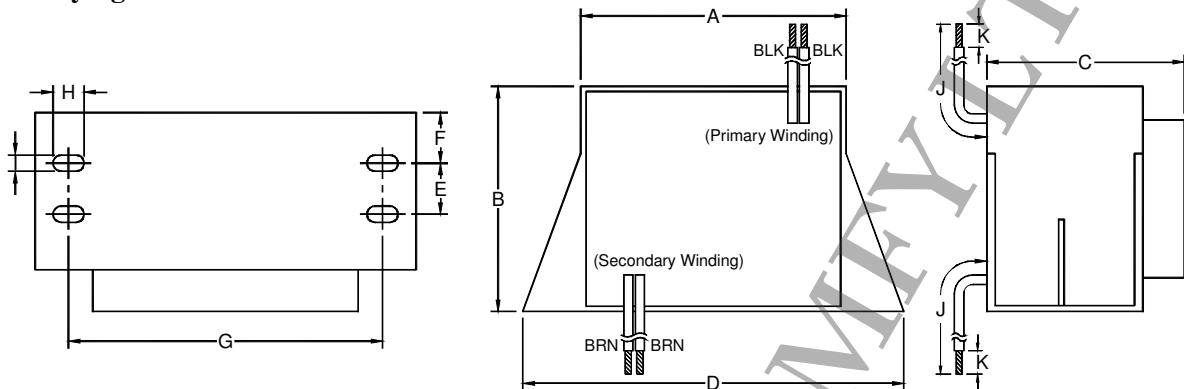
Potting Shell – Type B



	A	B	C	D	E	F	G	H	I	J	K	Weight (g)
Dimension (mm)	57.0	48.0	39.0	4.0	SQ0.64	5.0	30.0	76.5	65.0	37.5	φ4.2	410
Tolerance (mm)	±1.0	±1.0	±1.0	±1.0	±0.1	±0.2	±0.5	max.	±0.5	±0.5	±0.2	approx.

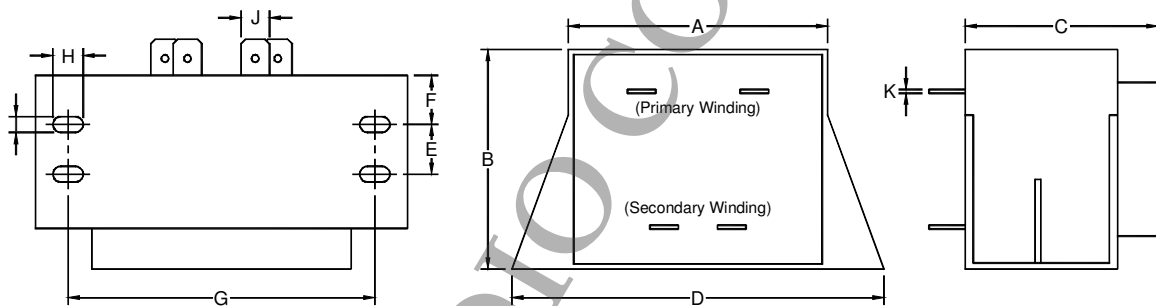
Note: Unused pins are omitted for standard parts. Unused pins can be provided upon request.

Style – Flying Lead



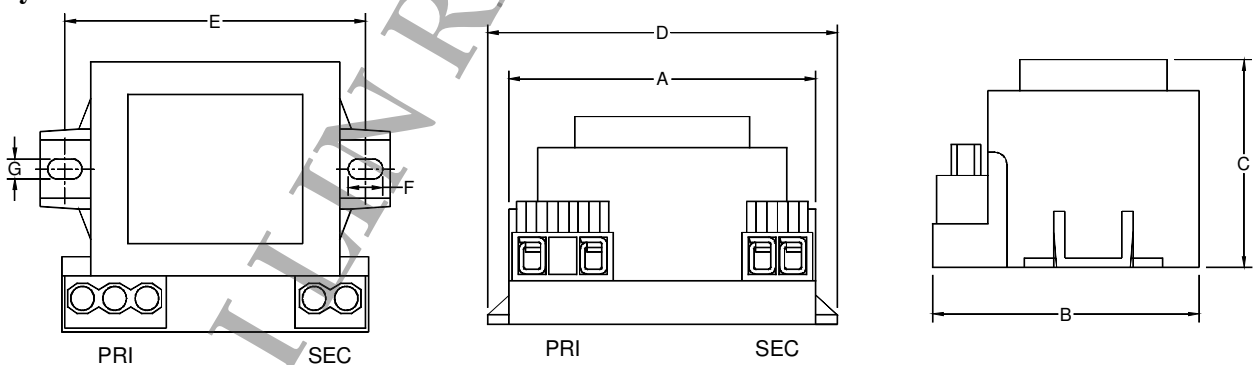
	A	B	C	D	E	F	G	H	I	J	K	Weight (g)
Dimension (mm)	57.5	48.5	42.8	82.5	11.0	10.5	68.0	6.7	3.5	250	5.0	410
Tolerance (mm)	±1.0	±1.0	±1.0	±1.0	±1.0	typ.	±1.0	±0.5	±0.2	±10	±1.0	approx.

Style – Faston Tab



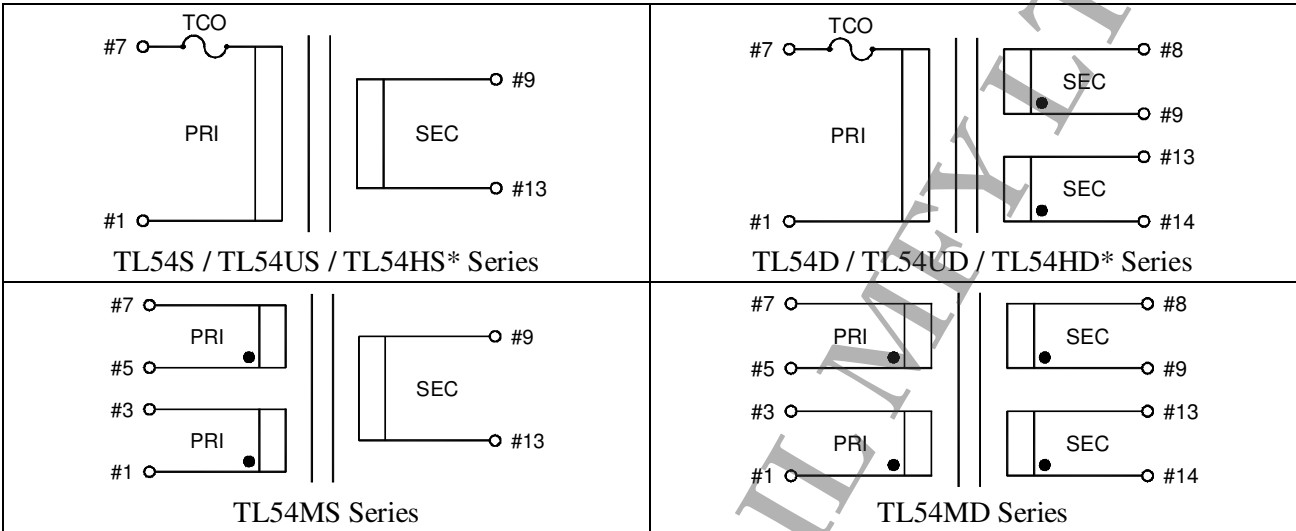
	A	B	C	D	E	F	G	H	I	J	K	Weight (g)
Dimension (mm)	57.5	48.5	42.8	82.5	11.0	10.5	68.0	6.7	3.5	6.3	0.8	410
Tolerance (mm)	±1.0	±1.0	±1.0	±1.0	±1.0	typ.	±1.0	±0.5	±0.2	±0.2	±0.1	approx.

Style – Terminal Block



	A	B	C	D	E	F	G	Weight (g)
Dimension (mm)	58.7	56.8	43.9	75.0	66.0	6.0	4.2	430
Tolerance (mm)	±1.0	±1.0	±1.0	±1.0	±0.5	±0.5	±0.2	approx.

Schematics



Pins Connection (for dual windings items)	Primary	In Series	Pin 1 – Pin 7 (Pins 3, 5 short)
		In Parallel	Pin 1 – Pin 7 (Pins 1, 5 short; Pins 3, 7 short)
	Secondary	In Series	Pin 9 – Pin 13 (Pins 8, 14 short)
		In Parallel	Pin 9 – Pin 13 (Pins 8, 13 short; Pins 9, 14 short)

* The TCO is omitted for the TL54HS & TL54HD series.

Part Number Designation

Six designations are available. Use TL54S-060-2666 as example:

- 1) TL54S-060-2666 = Potting Shell A (without fixing rails)
- 2) TL54S-060-2666 (R) = Potting Shell A (with fixing rails)
- 3) TL54S-060-2666 (SB) = Potting Shell B
- 4) TL54S-060-2666FL = Flying Lead Style
- 5) TL54S-060-2666FT = Faston Tab Style
- 6) TL54S-060-2666TB = Terminal Block Style

Note:

- a) Flying lead style is only available for the single input + single output items.
- b) Faston tab style is only available for the single input + single output items.
- c) Terminal block style is only available for the single input + single output items.
- d) Terminal block style is only available for “TUV + CE” approved items.
- e) In case of need, please add the appropriate suffixes in the part number when ordering.

Product Series	Primary (V)	Single Secondary			Dual Secondary			ta (°C)	Agency Approval
		Part Number	Secondary Rating		Part Number	Secondary Rating			
			(V)	(mA)		(V)	(mA)		
16VA	230	TL54S-060-2666	6	2666	TL54D-060-1333	2 x 6	1333	70	TUV CE
		TL54S-072-2222	7.2	2222	TL54D-072-1111	2 x 7.2	1111		
		TL54S-090-1777	9	1777	TL54D-090-0888	2 x 9	888		
		TL54S-100-1600	10	1600	TL54D-100-0800	2 x 10	800		
		TL54S-120-1333	12	1333	TL54D-120-0666	2 x 12	666		
		TL54S-150-1066	15	1066	TL54D-150-0533	2 x 15	533		
		TL54S-180-0888	18	888	TL54D-180-0444	2 x 18	444		
		TL54S-240-0666	24	666	TL54D-240-0333	2 x 24	333		
	115	TL54US-060-2666	6	2666	TL54UD-060-1333	2 x 6	1333	70	UL506 UL5085-1/-2 C-UL
		TL54US-072-2222	7.2	2222	TL54UD-072-1111	2 x 7.2	1111		
		TL54US-090-1777	9	1777	TL54UD-090-0888	2 x 9	888		
		TL54US-100-1600	10	1600	TL54UD-100-0800	2 x 10	800		
		TL54US-120-1333	12	1333	TL54UD-120-0666	2 x 12	666		
		TL54US-150-1066	15	1066	TL54UD-150-0533	2 x 15	533		
		TL54US-180-0888	18	888	TL54UD-180-0444	2 x 18	444		
		TL54US-240-0666	24	666	TL54UD-240-0333	2 x 24	333		
115 (Parallel) or 230 (Series)	TL54MS-060-2666	6	2666	TL54MD-060-1333	2 x 6	1333	70	UL5085-1/-2 C-UL TUV CE	
	TL54MS-072-2222	7.2	2222	TL54MD-072-1111	2 x 7.2	1111			
	TL54MS-090-1777	9	1777	TL54MD-090-0888	2 x 9	888			
	TL54MS-100-1600	10	1600	TL54MD-100-0800	2 x 10	800			
	TL54MS-120-1333	12	1333	TL54MD-120-0666	2 x 12	666			
	TL54MS-150-1066	15	1066	TL54MD-150-0533	2 x 15	533			
	TL54MS-180-0888	18	888	TL54MD-180-0444	2 x 18	444			
	TL54MS-240-0666	24	666	TL54MD-240-0333	2 x 24	333			
400	TL54HS-060-2666	6	2666	TL54HD-060-1333	2 x 6	1333	40	--	
	TL54HS-072-2222	7.2	2222	TL54HD-072-1111	2 x 7.2	1111			
	TL54HS-090-1777	9	1777	TL54HD-090-0888	2 x 9	888			
	TL54HS-100-1600	10	1600	TL54HD-100-0800	2 x 10	800			
	TL54HS-120-1333	12	1333	TL54HD-120-0666	2 x 12	666			
	TL54HS-150-1066	15	1066	TL54HD-150-0533	2 x 15	533			
	TL54HS-180-0888	18	888	TL54HD-180-0444	2 x 18	444			
	TL54HS-240-0666	24	666	TL54HD-240-0333	2 x 24	333			

- Note: 1) TL54S & TL54D series are fail-safe transformers.
2) TL54MS, TL54MD, TL54HS & TL54HD series are non-short-circuit proof transformers.