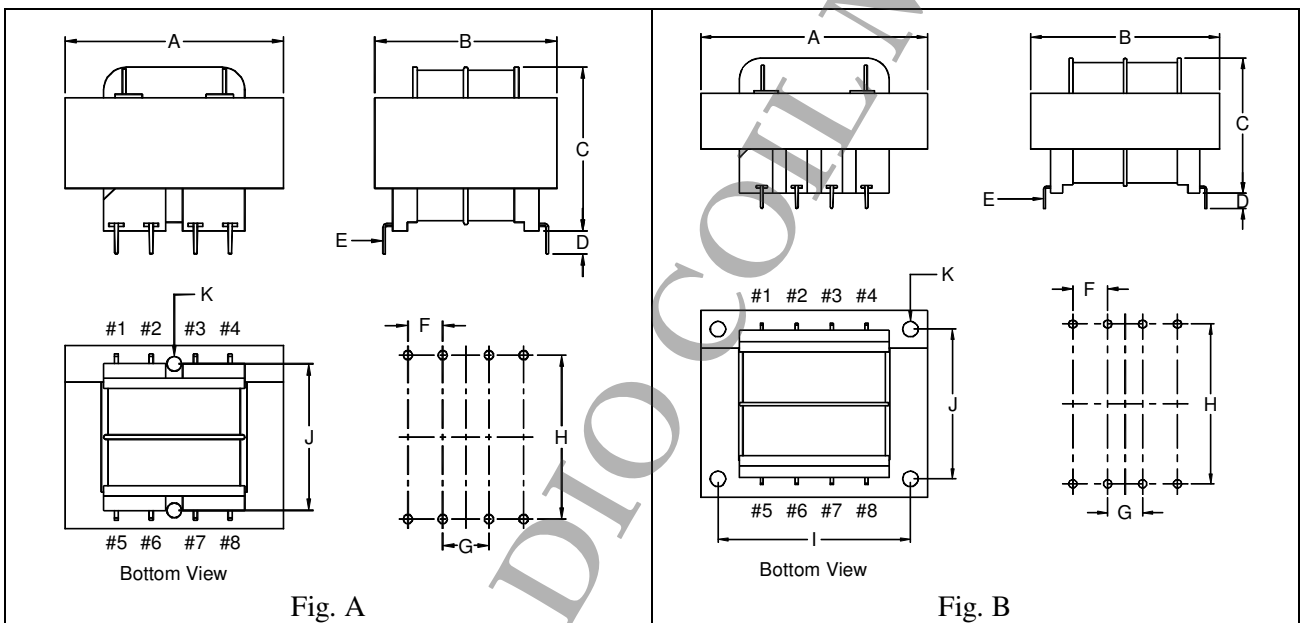


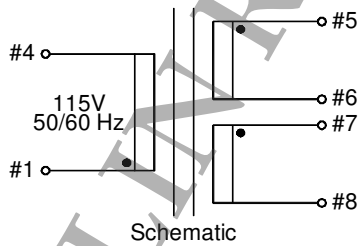


TL77 Series

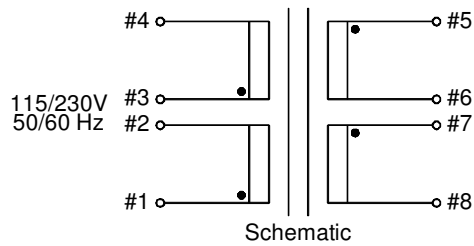
- Power – 1.1VA to 36VA
- Dielectric strength – 2500Vrms (P – S)
- Primary – Dual primary (115V/230V 50/60Hz) or Single primary (115V 50/60Hz)
- Secondary – Series or parallel
- Insulation class – Class F (155°C)
- Agency approvals – UL506, CSA C22.2 #66



Single Primary (6-Pin Style)



Dual Primary (8-Pin Style)



Product Series	Dimension (mm)											Fig.	Weight (g)
	A	B	C	D	E	F	G	H	I	J	K		
1.1 VA	36.5	32.0	25.5	5.5	0.5×1.0	6.35	6.35	30.5	--	--	--	A	75
2.4 VA	36.5	32.0	31.5	5.5	0.5×1.0	6.35	6.35	30.5	--	--	--	A	110
6.0 VA	42.0	34.0	34.3	5.0	0.5×1.0	6.35	8.90	32.5	--	27.0	∅2.5	A	180
12 VA	49.0	41.0	36.8	5.0	0.5×1.0	7.62	10.16	35.8	--	32.0	∅3.0	A	285
20 VA	58.0	48.5	36.8	5.0	0.5×1.0	7.62	10.16	40.6	--	38.0	∅3.5	A	360
36 VA	67.0	56.0	40.6	5.0	0.5×1.0	10.16	10.16	47.0	56.0	44.0	∅4.0	B	490
Tolerance	max.	max.	max.	±1.0	±0.2	±0.3	±0.3	±0.5	±0.5	±0.5	max.	--	approx.

Note : Dimension "E" is pin size, and dimension "K" is the maximum allowable screw size.

Product Series	Part Number				Secondary RMS Rating	
	Single 115V (6-Pin)		Dual 115 / 230V (8-Pin)		Series	Parallel
1.1 VA	TL77-2F-10	S	TL77-2F-10	D	10V @ 0.11A	5V @ 0.22A
	TL77-2F-12	S	TL77-2F-12	D	12.6V @ 0.09A	6.3V @ 0.18A
	TL77-2F-16	S	TL77-2F-16	D	16V @ 0.07A	8V @ 0.14A
	TL77-2F-20	S	TL77-2F-20	D	20V @ 0.055A	10V @ 0.11A
	TL77-2F-24	S	TL77-2F-24	D	24V @ 0.045A	12V @ 0.09A
	TL77-2F-28	S	TL77-2F-28	D	28V @ 0.04A	14V @ 0.08A
	TL77-2F-36	S	TL77-2F-36	D	36V @ 0.03A	18V @ 0.06A
	TL77-2F-48	S	TL77-2F-48	D	48V @ 0.023A	24V @ 0.046A
	TL77-2F-56	S	TL77-2F-56	D	56V @ 0.02A	28V @ 0.04A
	TL77-2F-120	S	TL77-2F-120	D	120V @ 0.01A	60V @ 0.02A
2.4 VA	TL77-3F-10	S	TL77-3F-10	D	10V @ 0.25A	5V @ 0.5A
	TL77-3F-12	S	TL77-3F-12	D	12.6V @ 0.2A	6.3V @ 0.4A
	TL77-3F-16	S	TL77-3F-16	D	16V @ 0.15A	8V @ 0.3A
	TL77-3F-20	S	TL77-3F-20	D	20V @ 0.12A	10V @ 0.24A
	TL77-3F-24	S	TL77-3F-24	D	24V @ 0.1A	12V @ 0.2A
	TL77-3F-28	S	TL77-3F-28	D	28V @ 0.085A	14V @ 0.17A
	TL77-3F-36	S	TL77-3F-36	D	36V @ 0.065A	18V @ 0.13A
	TL77-3F-48	S	TL77-3F-48	D	48V @ 0.05A	24V @ 0.1A
	TL77-3F-56	S	TL77-3F-56	D	56V @ 0.045A	28V @ 0.09A
	TL77-3F-120	S	TL77-3F-120	D	120V @ 0.02A	60V @ 0.04A
6 VA	TL77-4F-10	S	TL77-4F-10	D	10V @ 0.6A	5V @ 1.2A
	TL77-4F-12	S	TL77-4F-12	D	12.6V @ 0.5A	6.3V @ 1A
	TL77-4F-16	S	TL77-4F-16	D	16V @ 0.4A	8V @ 0.8A
	TL77-4F-20	S	TL77-4F-20	D	20V @ 0.3A	10V @ 0.6A
	TL77-4F-24	S	TL77-4F-24	D	24V @ 0.25A	12V @ 0.5A
	TL77-4F-28	S	TL77-4F-28	D	28V @ 0.2A	14V @ 0.4A
	TL77-4F-36	S	TL77-4F-36	D	36V @ 0.17A	18V @ 0.34A
	TL77-4F-48	S	TL77-4F-48	D	48V @ 0.125A	24V @ 0.25A
	TL77-4F-56	S	TL77-4F-56	D	56V @ 0.11A	28V @ 0.22A
	TL77-4F-120	S	TL77-4F-120	D	120V @ 0.05A	60V @ 0.1A
12 VA	TL77-5F-10	S	TL77-5F-10	D	10V @ 1.2A	5V @ 2.4A
	TL77-5F-12	S	TL77-5F-12	D	12.6V @ 1.0A	6.3V @ 2A
	TL77-5F-16	S	TL77-5F-16	D	16V @ 0.8A	8V @ 1.6A
	TL77-5F-20	S	TL77-5F-20	D	20V @ 0.6A	10V @ 1.2A
	TL77-5F-24	S	TL77-5F-24	D	24V @ 0.5A	12V @ 1A
	TL77-5F-28	S	TL77-5F-28	D	28V @ 0.42A	14V @ 0.84A
	TL77-5F-36	S	TL77-5F-36	D	36V @ 0.35A	18V @ 0.7A
	TL77-5F-48	S	TL77-5F-48	D	48V @ 0.25A	24V @ 0.5A
	TL77-5F-56	S	TL77-5F-56	D	56V @ 0.22A	28V @ 0.44A
	TL77-5F-120	S	TL77-5F-120	D	120V @ 0.1A	60V @ 0.2A
20 VA	TL77-6F-10	S	TL77-6F-10	D	10V @ 2A	5V @ 4A
	TL77-6F-12	S	TL77-6F-12	D	12.6V @ 1.6A	6.3V @ 3.2A
	TL77-6F-16	S	TL77-6F-16	D	16V @ 1.25A	8V @ 2.5A
	TL77-6F-20	S	TL77-6F-20	D	20V @ 1A	10V @ 2A
	TL77-6F-24	S	TL77-6F-24	D	24V @ 0.8A	12V @ 1.6A
	TL77-6F-28	S	TL77-6F-28	D	28V @ 0.7A	14V @ 1.4A
	TL77-6F-36	S	TL77-6F-36	D	36V @ 0.55A	18V @ 1.1A
	TL77-6F-48	S	TL77-6F-48	D	48V @ 0.4A	24V @ 0.8A
	TL77-6F-56	S	TL77-6F-56	D	56V @ 0.35A	28V @ 0.7A
	TL77-6F-120	S	TL77-6F-120	D	120V @ 0.16A	60V @ 0.32A
36 VA	TL77-7F-10	S	TL77-7F-10	D	10V @ 3.6A	5V @ 7.2A
	TL77-7F-12	S	TL77-7F-12	D	12.6V @ 2.85A	6.3V @ 5.7A
	TL77-7F-16	S	TL77-7F-16	D	16V @ 2.25A	8V @ 4.5A
	TL77-7F-20	S	TL77-7F-20	D	20V @ 1.8A	10V @ 3.6A
	TL77-7F-24	S	TL77-7F-24	D	24V @ 1.5A	12V @ 3A
	TL77-7F-28	S	TL77-7F-28	D	28V @ 1.3A	14V @ 2.6A
	TL77-7F-36	S	TL77-7F-36	D	36V @ 1A	18V @ 1A
	TL77-7F-48	S	TL77-7F-48	D	48V @ 0.75A	24V @ 1.5A
	TL77-7F-56	S	TL77-7F-56	D	56V @ 0.65A	28V @ 1.3A
	TL77-7F-120	S	TL77-7F-120	D	120V @ 0.3A	60V @ 0.6A

Note: When checking the approval status of these series' products with UL, the suffixes " S " or " D " should be omitted (but either of them will also be found on the part marking).