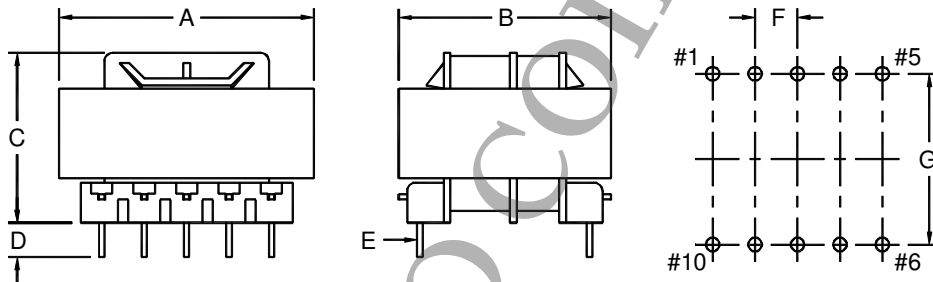


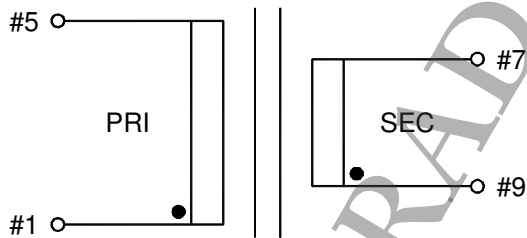


TL33 Series

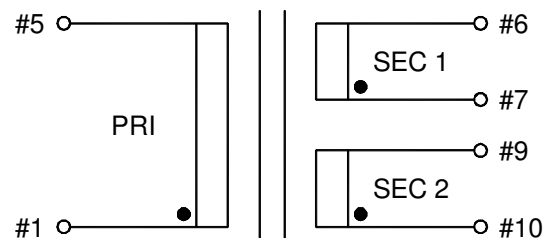
- Power – 0.6VA to 36VA
- Dielectric strength – 2500Vrms
- High ambient operation temperature (+70°C maximum)
- Primary (115V 60Hz)
- Secondary – Single or Dual
- Insulation class – Class B (130°C)
- Agency approvals – UL: UL506; C-UL: CSA C22.2 #66



Note: Unused pins are omitted for standard parts. Unused pins can be provided upon request.

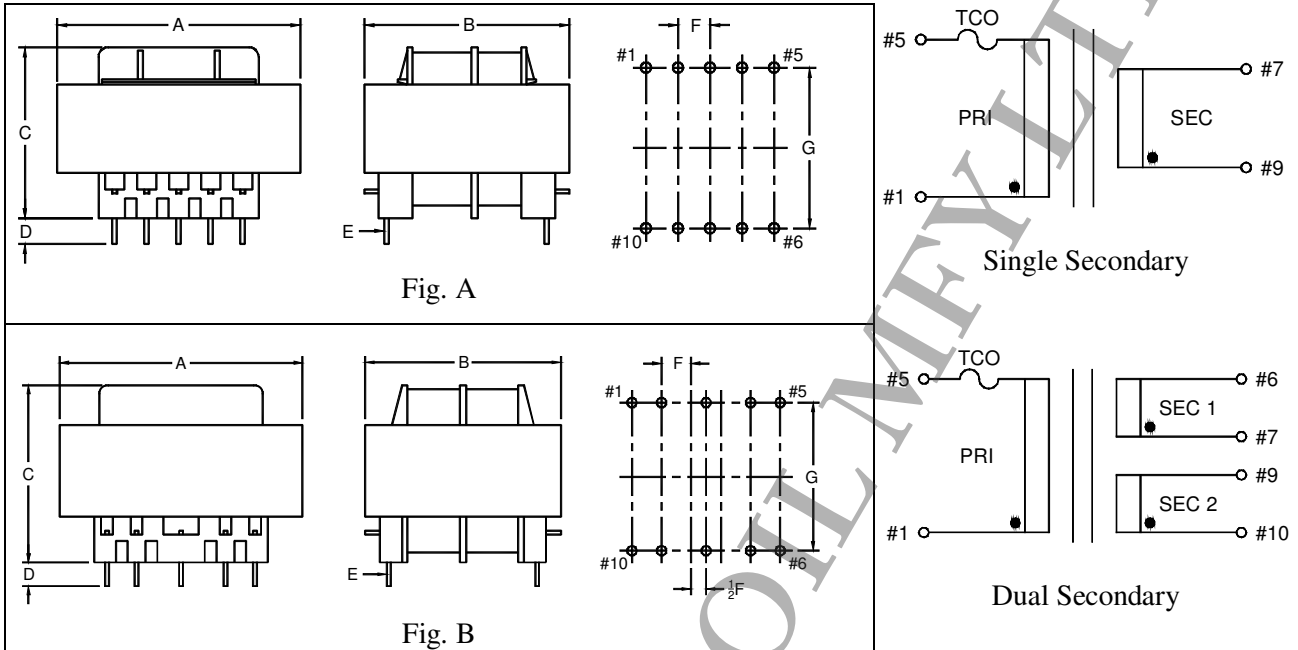


Single Secondary



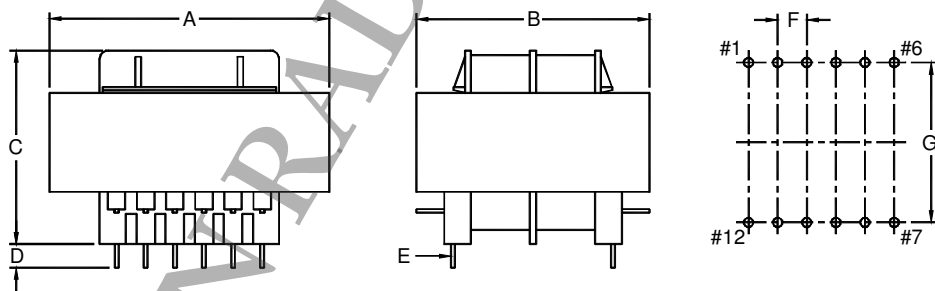
Dual Secondary

Product Series	Dimension (mm)							Weight (g)
	A	B	C	D	E	F	G	
0.6 VA	31.0	26.0	15.0	4.0	SQ 0.64	5.0	20.0	35
1.0 VA	31.0	26.0	22.5	4.0	SQ 0.64	5.0	20.0	70
1.2 VA	31.0	26.0	22.5	4.0	SQ 0.64	5.0	20.0	70
1.5 VA	31.0	26.0	22.5	4.0	SQ 0.64	5.0	20.0	70
1.8 VA	31.0	26.0	27.5	4.0	SQ 0.64	5.0	20.0	85
2.1 VA	31.0	26.0	27.5	4.0	SQ 0.64	5.0	20.0	85
2.3 VA	31.0	26.0	29.5	4.0	SQ 0.64	5.0	20.0	95
2.4 VA	31.0	26.0	27.5	4.0	SQ 0.64	5.0	20.0	85
2.7 VA	31.0	26.0	29.5	4.0	SQ 0.64	5.0	20.0	95
2.8 VA	31.0	26.0	29.5	4.0	SQ 0.64	5.0	20.0	95
Tolerance	max.	max.	max.	±1.0	±0.1	±0.2	±0.5	approx.

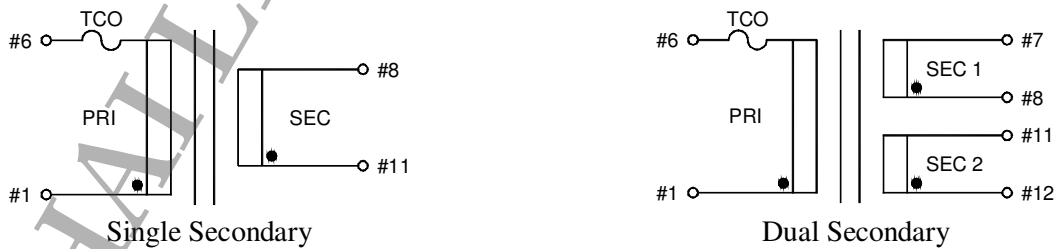


Note: Unused pins are omitted for standard parts. Unused pins can be provided upon request.

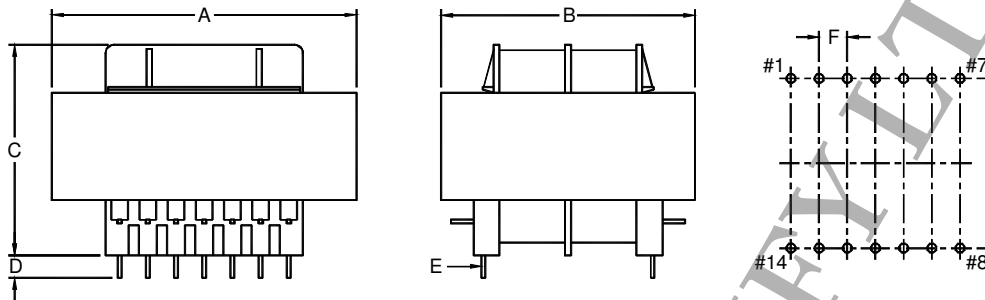
Product Series	Dimension (mm)							Fig.	Weight (g)
	A	B	C	D	E	F	G		
3.2 VA	39.0	33.0	27.5	4.0	SQ 0.64	5.0	25.0	A	125
4.0 VA	39.0	33.0	27.5	4.0	SQ 0.64	5.0	25.0	A	125
5.0 VA	42.0	34.0	31.0	4.0	SQ 0.64	5.0	25.0	B	160
Tolerance	max.	max.	max.	±1.0	±0.1	±0.2	±0.5	--	approx.



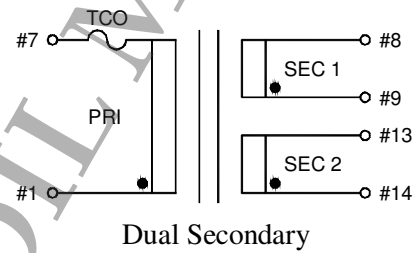
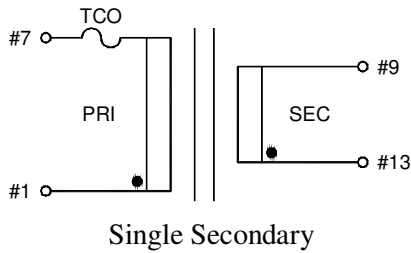
Note: Unused pins are omitted for standard parts. Unused pins can be provided upon request.



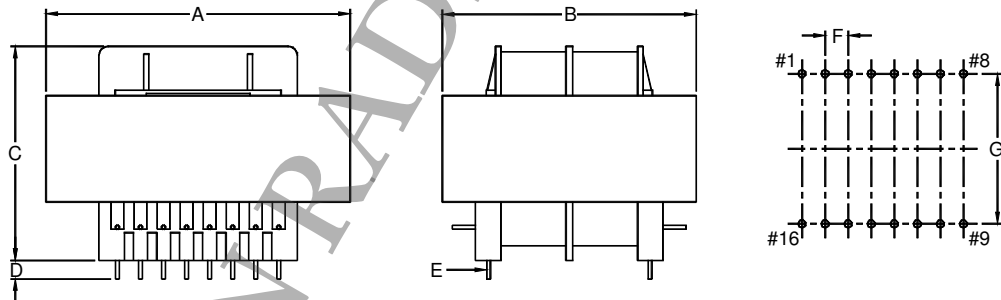
Product Series	Dimension (mm)							Weight (g)
	A	B	C	D	E	F	G	
8.0 VA	49.0	41.0	34.0	4.0	SQ 0.64	5.0	27.5	250
10 VA	49.0	41.0	34.0	4.0	SQ 0.64	5.0	27.5	250
Tolerance	max.	max.	max.	±1.0	±0.1	±0.2	±0.5	approx.



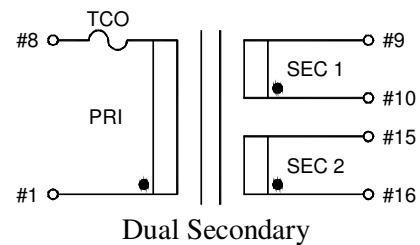
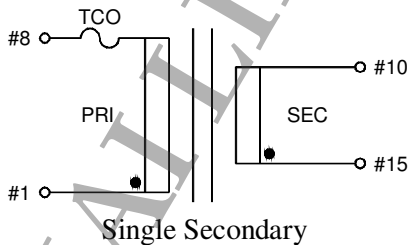
Note: Unused pins are omitted for standard parts. Unused pins can be provided upon request.



Product Series	Dimension (mm)							Weight (g)
	A	B	C	D	E	F	G	
16 VA	55.0	46.0	38.0	4.0	SQ 0.64	5.0	30.0	370
20 VA	61.0	51.0	44.0	4.0	∅0.8	5.0	32.5	530
22 VA	61.0	51.0	44.0	4.0	∅0.8	5.0	32.5	530
25 VA	61.0	51.0	44.0	4.0	∅0.8	5.0	32.5	530
Tolerance	max.	max.	max.	±1.0	±0.1	±0.2	±0.5	approx.



Note: Unused pins are omitted for standard parts. Unused pins can be provided upon request.



Product Series	Dimension (mm)							Weight (g)
	A	B	C	D	E	F	G	
30 VA	67.0	56.0	47.5	4.0	∅0.8	5.0	35.0	670
36 VA	67.0	56.0	47.5	4.0	∅0.8	5.0	35.0	670
Tolerance	max.	max.	max.	±1.0	±0.1	±0.2	±0.5	approx.

Product Series	Primary (V)	Single Secondary			Dual Secondary		
		Part Number	Secondary Rating		Part Number	Secondary Rating	
			(V)	(mA)		(V)	(mA)
0.6 VA	115	TL33S-1001	6	100	TL33D-1001	2 x 6	50
		TL33S-1002	7.2	83	TL33D-1002	2 x 7.2	42
		TL33S-1003	9	67	TL33D-1003	2 x 9	33
		TL33S-1004	10	60	TL33D-1004	2 x 10	30
		TL33S-1005	12	50	TL33D-1005	2 x 12	25
		TL33S-1006	15	40	TL33D-1006	2 x 15	20
		TL33S-1007	18	33	TL33D-1007	2 x 18	17
		TL33S-1008	24	25	TL33D-1008	2 x 24	12
1.0 VA	115	TL33S-1009	6	167	TL33D-1009	2 x 6	83
		TL33S-1010	7.2	139	TL33D-1010	2 x 7.2	69
		TL33S-1011	9	111	TL33D-1011	2 x 9	56
		TL33S-1012	10	100	TL33D-1012	2 x 10	50
		TL33S-1013	12	83	TL33D-1013	2 x 12	42
		TL33S-1014	15	67	TL33D-1014	2 x 15	33
		TL33S-1015	18	56	TL33D-1015	2 x 18	28
		TL33S-1016	24	42	TL33D-1016	2 x 24	21
1.2 VA	115	TL33S-1017	6	200	TL33D-1017	2 x 6	100
		TL33S-1018	7.2	167	TL33D-1018	2 x 7.2	83
		TL33S-1019	9	133	TL33D-1019	2 x 9	67
		TL33S-1020	10	120	TL33D-1020	2 x 10	60
		TL33S-1021	12	100	TL33D-1021	2 x 12	50
		TL33S-1022	15	80	TL33D-1022	2 x 15	40
		TL33S-1023	18	67	TL33D-1023	2 x 18	33
		TL33S-1024	24	50	TL33D-1024	2 x 24	25
1.5 VA	115	TL33S-1025	6	250	TL33D-1025	2 x 6	125
		TL33S-1026	7.2	208	TL33D-1026	2 x 7.2	104
		TL33S-1027	9	167	TL33D-1027	2 x 9	83
		TL33S-1028	10	150	TL33D-1028	2 x 10	75
		TL33S-1029	12	125	TL33D-1029	2 x 12	62
		TL33S-1030	15	100	TL33D-1030	2 x 15	50
		TL33S-1031	18	83	TL33D-1031	2 x 18	42
		TL33S-1032	24	62	TL33D-1032	2 x 24	31
1.8 VA	115	TL33S-1033	6	300	TL33D-1033	2 x 6	150
		TL33S-1034	7.2	250	TL33D-1034	2 x 7.2	125
		TL33S-1035	9	200	TL33D-1035	2 x 9	100
		TL33S-1036	10	180	TL33D-1036	2 x 10	90
		TL33S-1037	12	150	TL33D-1037	2 x 12	75
		TL33S-1038	15	120	TL33D-1038	2 x 15	60
		TL33S-1039	18	100	TL33D-1039	2 x 18	50
		TL33S-1040	24	76	TL33D-1040	2 x 24	38
2.1 VA	115	TL33S-1041	6	350	TL33D-1041	2 x 6	175
		TL33S-1042	7.2	292	TL33D-1042	2 x 7.2	146
		TL33S-1043	9	234	TL33D-1043	2 x 9	117
		TL33S-1044	10	210	TL33D-1044	2 x 10	105
		TL33S-1045	12	176	TL33D-1045	2 x 12	88
		TL33S-1046	15	140	TL33D-1046	2 x 15	70
		TL33S-1047	18	118	TL33D-1047	2 x 18	59
		TL33S-1048	24	88	TL33D-1048	2 x 24	44
2.3 VA	115	TL33S-1049	6	383	TL33D-1049	2 x 6	191
		TL33S-1050	7.2	319	TL33D-1050	2 x 7.2	159
		TL33S-1051	9	255	TL33D-1051	2 x 9	127
		TL33S-1052	10	230	TL33D-1052	2 x 10	115
		TL33S-1053	12	191	TL33D-1053	2 x 12	95
		TL33S-1054	15	153	TL33D-1054	2 x 15	76
		TL33S-1055	18	127	TL33D-1055	2 x 18	63
		TL33S-1056	24	96	TL33D-1056	2 x 24	48

Product Series	Primary (V)	Single Secondary			Dual Secondary		
		Part Number	Secondary Rating		Part Number	Secondary Rating	
			(V)	(mA)		(V)	(mA)
2.4 VA	115	TL33S-1057	6	400	TL33D-1057	2 x 6	200
		TL33S-1058	7.2	334	TL33D-1058	2 x 7.2	167
		TL33S-1059	9	268	TL33D-1059	2 x 9	134
		TL33S-1060	10	240	TL33D-1060	2 x 10	120
		TL33S-1061	12	200	TL33D-1061	2 x 12	100
		TL33S-1062	15	160	TL33D-1062	2 x 15	80
		TL33S-1063	18	134	TL33D-1063	2 x 18	67
		TL33S-1064	24	100	TL33D-1064	2 x 24	50
2.7 VA	115	TL33S-1065	6	450	TL33D-1065	2 x 6	225
		TL33S-1066	7.2	375	TL33D-1066	2 x 7.2	187
		TL33S-1067	9	300	TL33D-1067	2 x 9	150
		TL33S-1068	10	270	TL33D-1068	2 x 10	135
		TL33S-1069	12	225	TL33D-1069	2 x 12	112
		TL33S-1070	15	180	TL33D-1070	2 x 15	90
		TL33S-1071	18	150	TL33D-1071	2 x 18	75
		TL33S-1072	24	112	TL33D-1072	2 x 24	56
2.8 VA	115	TL33S-1073	6	466	TL33D-1073	2 x 6	233
		TL33S-1074	7.2	388	TL33D-1074	2 x 7.2	194
		TL33S-1075	9	311	TL33D-1075	2 x 9	155
		TL33S-1076	10	280	TL33D-1076	2 x 10	140
		TL33S-1077	12	233	TL33D-1077	2 x 12	116
		TL33S-1078	15	186	TL33D-1078	2 x 15	93
		TL33S-1079	18	155	TL33D-1079	2 x 18	77
		TL33S-1080	24	116	TL33D-1080	2 x 24	58
3.2 VA	115	TL33S-2001	6	533	TL33D-2001	2 x 6	266
		TL33S-2002	7.2	444	TL33D-2002	2 x 7.2	222
		TL33S-2003	9	355	TL33D-2003	2 x 9	177
		TL33S-2004	10	320	TL33D-2004	2 x 10	160
		TL33S-2005	12	266	TL33D-2005	2 x 12	133
		TL33S-2006	15	213	TL33D-2006	2 x 15	106
		TL33S-2007	18	177	TL33D-2007	2 x 18	88
		TL33S-2008	24	133	TL33D-2008	2 x 24	66
4 VA	115	TL33S-2009	6	666	TL33D-2009	2 x 6	333
		TL33S-2010	7.2	556	TL33D-2010	2 x 7.2	278
		TL33S-2011	9	444	TL33D-2011	2 x 9	222
		TL33S-2012	10	400	TL33D-2012	2 x 10	200
		TL33S-2013	12	333	TL33D-2013	2 x 12	167
		TL33S-2014	15	267	TL33D-2014	2 x 15	133
		TL33S-2015	18	222	TL33D-2015	2 x 18	111
		TL33S-2016	24	167	TL33D-2016	2 x 24	83
5 VA	115	TL33S-3001	6	833	TL33D-3001	2 x 6	416
		TL33S-3002	7.2	694	TL33D-3002	2 x 7.2	347
		TL33S-3003	9	555	TL33D-3003	2 x 9	277
		TL33S-3004	10	500	TL33D-3004	2 x 10	250
		TL33S-3005	12	416	TL33D-3005	2 x 12	208
		TL33S-3006	15	333	TL33D-3006	2 x 15	166
		TL33S-3007	18	277	TL33D-3007	2 x 18	138
		TL33S-3008	24	208	TL33D-3008	2 x 24	104
8 VA	115	TL33S-4001	6	1333	TL33D-4001	2 x 6	666
		TL33S-4002	7.2	1111	TL33D-4002	2 x 7.2	555
		TL33S-4003	9	888	TL33D-4003	2 x 9	444
		TL33S-4004	10	800	TL33D-4004	2 x 10	400
		TL33S-4005	12	666	TL33D-4005	2 x 12	333
		TL33S-4006	15	533	TL33D-4006	2 x 15	266
		TL33S-4007	18	444	TL33D-4007	2 x 18	222
		TL33S-4008	24	333	TL33D-4008	2 x 24	166

Product Series	Primary (V)	Single Secondary			Dual Secondary		
		Part Number	Secondary Rating		Part Number	Secondary Rating	
			(V)	(mA)		(V)	(mA)
10 VA	115	TL33S-4009	6	1666	TL33D-4009	2 x 6	833
		TL33S-4010	7.2	1388	TL33D-4010	2 x 7.2	694
		TL33S-4011	9	1111	TL33D-4011	2 x 9	555
		TL33S-4012	10	1000	TL33D-4012	2 x 10	500
		TL33S-4013	12	833	TL33D-4013	2 x 12	416
		TL33S-4014	15	666	TL33D-4014	2 x 15	333
		TL33S-4015	18	555	TL33D-4015	2 x 18	277
		TL33S-4016	24	416	TL33D-4016	2 x 24	208
16 VA	115	TL33S-5001	6	2666	TL33D-5001	2 x 6	1333
		TL33S-5002	7.2	2222	TL33D-5002	2 x 7.2	1111
		TL33S-5003	9	1777	TL33D-5003	2 x 9	888
		TL33S-5004	10	1600	TL33D-5004	2 x 10	800
		TL33S-5005	12	1333	TL33D-5005	2 x 12	666
		TL33S-5006	15	1066	TL33D-5006	2 x 15	533
		TL33S-5007	18	888	TL33D-5007	2 x 18	444
		TL33S-5008	24	666	TL33D-5008	2 x 24	333
20 VA	115	TL33S-6001	6	3333	TL33D-6001	2 x 6	1666
		TL33S-6002	7.2	2777	TL33D-6002	2 x 7.2	1388
		TL33S-6003	9	2222	TL33D-6003	2 x 9	1111
		TL33S-6004	10	2000	TL33D-6004	2 x 10	1000
		TL33S-6005	12	1666	TL33D-6005	2 x 12	833
		TL33S-6006	15	1333	TL33D-6006	2 x 15	666
		TL33S-6007	18	1111	TL33D-6007	2 x 18	555
		TL33S-6008	24	833	TL33D-6008	2 x 24	416
22 VA	115	TL33S-6009	6	3666	TL33D-6009	2 x 6	1833
		TL33S-6010	7.2	3055	TL33D-6010	2 x 7.2	1527
		TL33S-6011	9	2444	TL33D-6011	2 x 9	1222
		TL33S-6012	10	2200	TL33D-6012	2 x 10	1100
		TL33S-6013	12	1833	TL33D-6013	2 x 12	916
		TL33S-6014	15	1466	TL33D-6014	2 x 15	733
		TL33S-6015	18	1222	TL33D-6015	2 x 18	611
		TL33S-6016	24	916	TL33D-6016	2 x 24	458
25 VA	115	TL33S-6017	6	4166	TL33D-6017	2 x 6	2083
		TL33S-6018	7.2	3472	TL33D-6018	2 x 7.2	1736
		TL33S-6019	9	2777	TL33D-6019	2 x 9	1388
		TL33S-6020	10	2500	TL33D-6020	2 x 10	1250
		TL33S-6021	12	2083	TL33D-6021	2 x 12	1041
		TL33S-6022	15	1666	TL33D-6022	2 x 15	833
		TL33S-6023	18	1388	TL33D-6023	2 x 18	694
		TL33S-6024	24	1041	TL33D-6024	2 x 24	520
30 VA	115	TL33S-7001	6	5000	TL33D-7001	2 x 6	2500
		TL33S-7002	7.2	4166	TL33D-7002	2 x 7.2	2083
		TL33S-7003	9	3333	TL33D-7003	2 x 9	1666
		TL33S-7004	10	3000	TL33D-7004	2 x 10	1500
		TL33S-7005	12	2500	TL33D-7005	2 x 12	1250
		TL33S-7006	15	2000	TL33D-7006	2 x 15	1000
		TL33S-7007	18	1666	TL33D-7007	2 x 18	833
		TL33S-7008	24	1250	TL33D-7008	2 x 24	625
36 VA	115	TL33S-7009	6	6000	TL33D-7009	2 x 6	3000
		TL33S-7010	7.2	5000	TL33D-7010	2 x 7.2	2500
		TL33S-7011	9	4000	TL33D-7011	2 x 9	2000
		TL33S-7012	10	3600	TL33D-7012	2 x 10	1800
		TL33S-7013	12	3000	TL33D-7013	2 x 12	1500
		TL33S-7014	15	2400	TL33D-7014	2 x 15	1200
		TL33S-7015	18	2000	TL33D-7015	2 x 18	1000
		TL33S-7016	24	1500	TL33D-7016	2 x 24	750