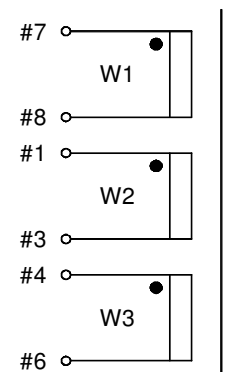
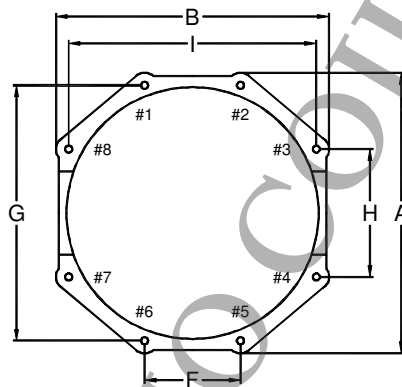
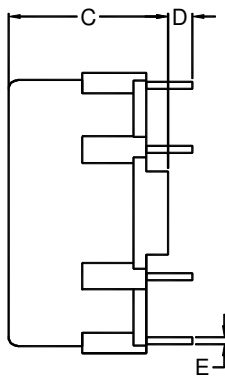




## TL464B Series

- Excellent for attenuating common-mode or asymmetric interference signals.
- Inductance range : 1.8 ~ 5.6mH
- Current range : 4 ~ 10A
- Dielectric strength : 2000Vrms
- Rated voltage : 500Vac
- Triple-choke configuration
- Custom-made chokes are available upon request



	A	B	C	D	E	F	G	H	I
<b>Dimension (mm)</b>	44.0	42.7	25.0	3.5	SQ1.0	15.0	40.0	20.0	38.75
<b>Tolerance (mm)</b>	± 1.0	± 1.0	± 1.0	± 1.0	± 0.1	± 0.5	± 0.5	± 0.5	± 0.5

Note: Unused pins are omitted for standard parts. Unused pins can be provided on request.

Part Number	Inductance (mH, ±30%)	Rated Current (Arms)	DC Resistance (mΩ, max.)	Number of Windings	Approx. Weight (g)
TL464B-3-001	5.6	4	90	3	56
TL464B-3-002	4.4	5	60	3	56
TL464B-3-003	3.6	5.5	50	3	57
TL464B-3-004	3.2	6	40	3	58
TL464B-3-005	2.6	7	32	3	60
TL464B-3-006	2.0	8	22	3	62
TL464B-3-007	1.8	10	16	3	67