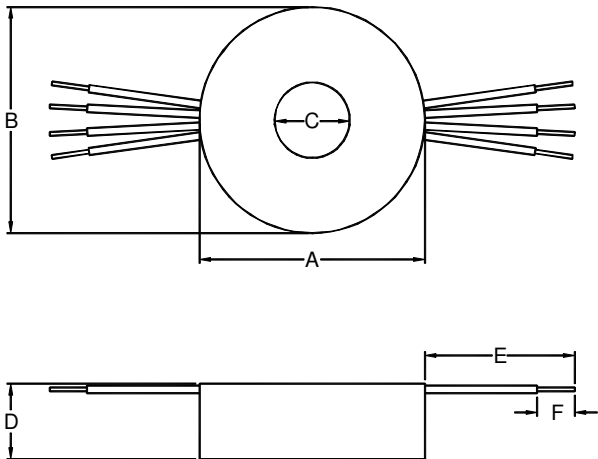


TL35 Series



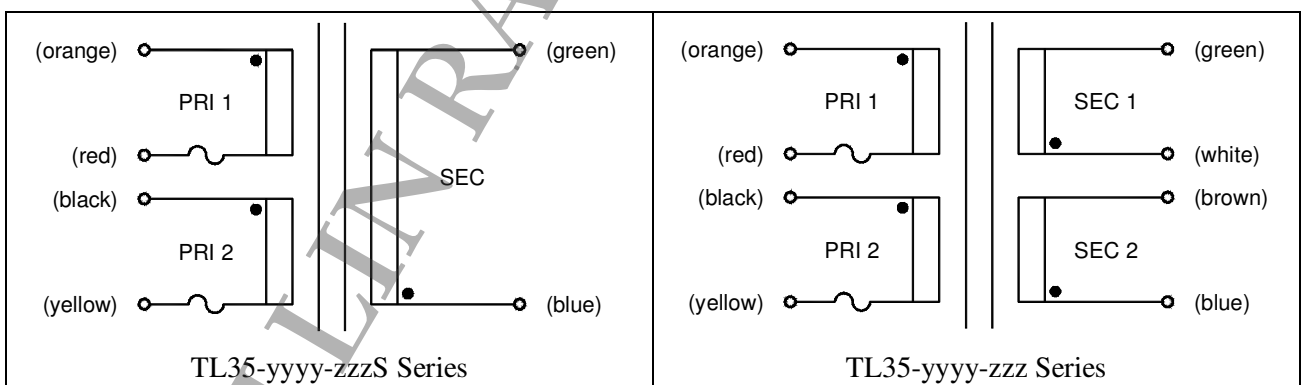
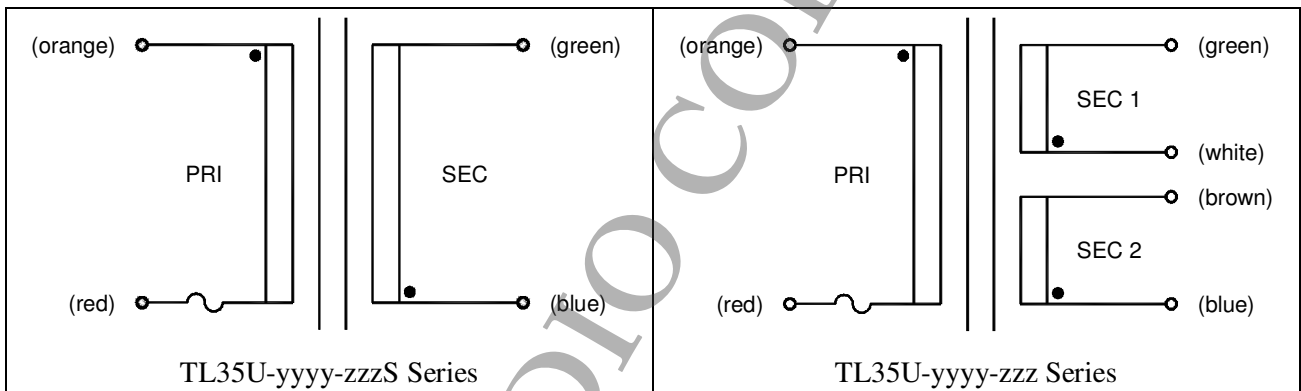
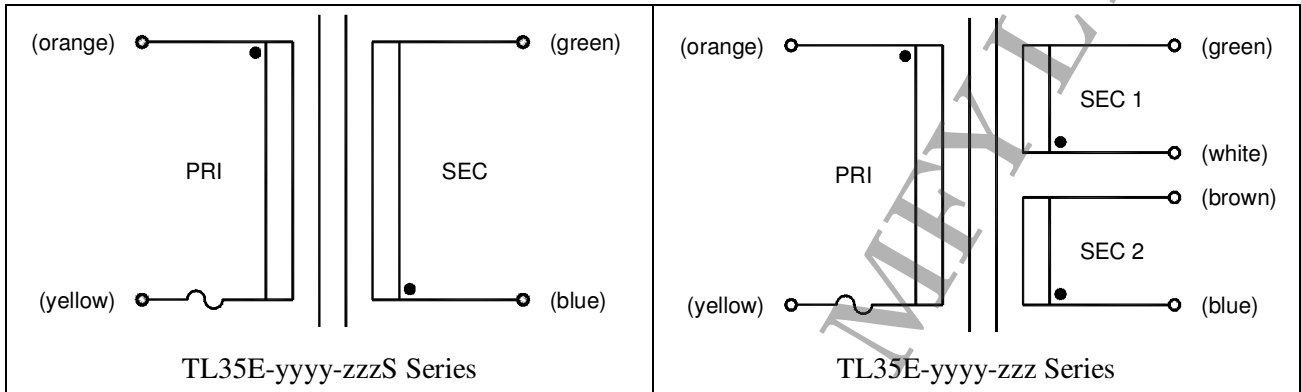
- Low magnetic stray field emissions
- Low standby current
- High efficiency
- High ambient operating temperature (+60°C maximum)
- All leads wires are rated 200°C / 300V
- Power – 1.6VA to 500VA
- Primary
 - Single primary (115V 60Hz) or (230V 50Hz)
 - Dual primary (115V/230V 50/60Hz)
- Secondary – Single or Dual
- Dielectric strength – 4000Vrms
- Insulation class – Class B (130°C)
- Agency approvals
 - TUV / CE: EN60950 / EN60065
 - UL: UL506; UL5085-1 / -2
 - UL: UL1411
 - C-UL: CSA C22.2 #66 / #66.1 / #66.2
 - C-UL: CSA C22.2 #1

Mounting Hardware

The transformer is normally supplied with one metal (or plastic) disk and two rubber washers for simple and easy one screw mounting.

| Product Series | Dimension (mm) | | | | | | Weight (g) |
|----------------|----------------|-------|------|------|--------|-------|------------|
| | A | B | C | D | E | F | |
| 1.6 VA | 44.5 | 41.0 | 7.5 | 20.5 | 150.0 | 8.0 | 75 |
| 3.2 VA | 49.5 | 45.5 | 5.0 | 20.5 | 150.0 | 8.0 | 90 |
| 5.0 VA | 53.5 | 49.0 | 3.5 | 21.0 | 150.0 | 8.0 | 120 |
| 7.0 VA | 53.5 | 50.0 | 5.0 | 23.5 | 150.0 | 8.0 | 140 |
| 10 VA | 60.5 | 56.0 | 7.0 | 25.5 | 150.0 | 8.0 | 190 |
| 15 VA | 66.5 | 60.0 | 6.0 | 27.5 | 150.0 | 8.0 | 260 |
| 25 VA | 65.5 | 61.5 | 12.0 | 36.0 | 150.0 | 8.0 | 310 |
| 35 VA | 78.5 | 71.5 | 18.5 | 34.0 | 150.0 | 8.0 | 480 |
| 50 VA | 86.5 | 80.0 | 22.5 | 36.0 | 150.0 | 8.0 | 620 |
| 65 VA | 94.5 | 89.0 | 20.5 | 36.5 | 150.0 | 8.0 | 770 |
| 85 VA | 101.0 | 94.5 | 28.0 | 39.5 | 150.0 | 8.0 | 1050 |
| 100 VA | 101.0 | 96.0 | 34.0 | 44.0 | 250.0 | 8.0 | 1200 |
| 120 VA | 103.0 | 98.0 | 33.0 | 46.0 | 250.0 | 8.0 | 1250 |
| 160 VA | 122.0 | 116.0 | 38.0 | 46.0 | 250.0 | 8.0 | 2050 |
| 200 VA | 118.0 | 113.0 | 37.0 | 50.0 | 250.0 | 8.0 | 2150 |
| 250 VA | 123.0 | 118.0 | 42.0 | 53.0 | 250.0 | 8.0 | 2450 |
| 300 VA | 127.0 | 123.0 | 43.0 | 54.0 | 250.0 | 8.0 | 2800 |
| 400 VA | 139.0 | 134.0 | 44.0 | 61.0 | 250.0 | 8.0 | 3300 |
| 500 VA | 143.0 | 138.0 | 46.0 | 65.0 | 250.0 | 8.0 | 4000 |
| Tolerance | typ. | typ. | typ. | typ. | ± 10.0 | ± 2.0 | approx. |

Schematics



where

E – represents the series with single primary input 230V 50Hz,

U – represents the series with single primary input 115V 60Hz, and

the series without “ E ” or “ U ” represents the series with dual primary input 115V/230V 50/60Hz.

S – represents the series with single secondary winding, and

the series without “ S ” represents the series with two secondary windings.

| Product Series | Primary (V) | Single Secondary | | | Dual Secondary | | | Agency Approval |
|----------------|-------------|------------------|------------------|------|----------------|------------------|------|-----------------------------|
| | | Part Number | Secondary Rating | | Part Number | Secondary Rating | | |
| | | | (V) | (mA) | | (V) | (mA) | |
| 1.6 VA | 230 | TL35E-0016-012S | 12 | 133 | TL35E-0016-012 | 2 x 6 | 133 | TUV CE |
| | | TL35E-0016-014S | 14 | 114 | TL35E-0016-014 | 2 x 7 | 114 | |
| | | TL35E-0016-018S | 18 | 89 | TL35E-0016-018 | 2 x 9 | 89 | |
| | | TL35E-0016-024S | 24 | 67 | TL35E-0016-024 | 2 x 12 | 67 | |
| | | TL35E-0016-030S | 30 | 53 | TL35E-0016-030 | 2 x 15 | 53 | |
| | | TL35E-0016-036S | 36 | 44 | TL35E-0016-036 | 2 x 18 | 44 | |
| | | TL35E-0016-044S | 44 | 36 | TL35E-0016-044 | 2 x 22 | 36 | |
| | | TL35E-0016-048S | 48 | 33 | TL35E-0016-048 | 2 x 24 | 33 | |
| | 115 | TL35U-0016-012S | 12 | 133 | TL35U-0016-012 | 2 x 6 | 133 | UL * C-UL * |
| | | TL35U-0016-014S | 14 | 114 | TL35U-0016-014 | 2 x 7 | 114 | |
| | | TL35U-0016-018S | 18 | 89 | TL35U-0016-018 | 2 x 9 | 89 | |
| | | TL35U-0016-024S | 24 | 67 | TL35U-0016-024 | 2 x 12 | 67 | |
| | | TL35U-0016-030S | 30 | 53 | TL35U-0016-030 | 2 x 15 | 53 | |
| | | TL35U-0016-036S | 36 | 44 | TL35U-0016-036 | 2 x 18 | 44 | |
| | | TL35U-0016-044S | 44 | 36 | TL35U-0016-044 | 2 x 22 | 36 | |
| | | TL35U-0016-048S | 48 | 33 | TL35U-0016-048 | 2 x 24 | 33 | |
| | 2 x 115 | TL35-0016-012S | 12 | 133 | TL35-0016-012 | 2 x 6 | 133 | UL * C-UL * TUV CE |
| | | TL35-0016-014S | 14 | 114 | TL35-0016-014 | 2 x 7 | 114 | |
| | | TL35-0016-018S | 18 | 89 | TL35-0016-018 | 2 x 9 | 89 | |
| | | TL35-0016-024S | 24 | 67 | TL35-0016-024 | 2 x 12 | 67 | |
| | | TL35-0016-030S | 30 | 53 | TL35-0016-030 | 2 x 15 | 53 | |
| | | TL35-0016-036S | 36 | 44 | TL35-0016-036 | 2 x 18 | 44 | |
| | | TL35-0016-044S | 44 | 36 | TL35-0016-044 | 2 x 22 | 36 | |
| | | TL35-0016-048S | 48 | 33 | TL35-0016-048 | 2 x 24 | 33 | |

| | | | | | | | | |
|--------|---------|-----------------|----|-----|----------------|--------|-----|-----------------------------|
| 3.2 VA | 230 | TL35E-0032-012S | 12 | 266 | TL35E-0032-012 | 2 x 6 | 266 | TUV CE |
| | | TL35E-0032-014S | 14 | 229 | TL35E-0032-014 | 2 x 7 | 229 | |
| | | TL35E-0032-018S | 18 | 178 | TL35E-0032-018 | 2 x 9 | 178 | |
| | | TL35E-0032-024S | 24 | 133 | TL35E-0032-024 | 2 x 12 | 133 | |
| | | TL35E-0032-030S | 30 | 107 | TL35E-0032-030 | 2 x 15 | 107 | |
| | | TL35E-0032-036S | 36 | 89 | TL35E-0032-036 | 2 x 18 | 89 | |
| | | TL35E-0032-044S | 44 | 73 | TL35E-0032-044 | 2 x 22 | 73 | |
| | | TL35E-0032-048S | 48 | 66 | TL35E-0032-048 | 2 x 24 | 66 | |
| | 115 | TL35U-0032-012S | 12 | 266 | TL35U-0032-012 | 2 x 6 | 266 | UL * C-UL * |
| | | TL35U-0032-014S | 14 | 229 | TL35U-0032-014 | 2 x 7 | 229 | |
| | | TL35U-0032-018S | 18 | 178 | TL35U-0032-018 | 2 x 9 | 178 | |
| | | TL35U-0032-024S | 24 | 133 | TL35U-0032-024 | 2 x 12 | 133 | |
| | | TL35U-0032-030S | 30 | 107 | TL35U-0032-030 | 2 x 15 | 107 | |
| | | TL35U-0032-036S | 36 | 89 | TL35U-0032-036 | 2 x 18 | 89 | |
| | | TL35U-0032-044S | 44 | 73 | TL35U-0032-044 | 2 x 22 | 73 | |
| | | TL35U-0032-048S | 48 | 66 | TL35U-0032-048 | 2 x 24 | 66 | |
| | 2 x 115 | TL35-0032-012S | 12 | 266 | TL35-0032-012 | 2 x 6 | 266 | UL * C-UL * TUV CE |
| | | TL35-0032-014S | 14 | 229 | TL35-0032-014 | 2 x 7 | 229 | |
| | | TL35-0032-018S | 18 | 178 | TL35-0032-018 | 2 x 9 | 178 | |
| | | TL35-0032-024S | 24 | 133 | TL35-0032-024 | 2 x 12 | 133 | |
| | | TL35-0032-030S | 30 | 107 | TL35-0032-030 | 2 x 15 | 107 | |
| | | TL35-0032-036S | 36 | 89 | TL35-0032-036 | 2 x 18 | 89 | |
| | | TL35-0032-044S | 44 | 73 | TL35-0032-044 | 2 x 22 | 73 | |
| | | TL35-0032-048S | 48 | 66 | TL35-0032-048 | 2 x 24 | 66 | |

Note: * UL and C-UL approvals are only available in the Dual Secondary parts.

| Product Series | Primary (V) | Single Secondary | | | Dual Secondary | | | Agency Approval |
|----------------|-----------------|------------------|------------------|----------------|----------------|------------------|------|-----------------------------|
| | | Part Number | Secondary Rating | | Part Number | Secondary Rating | | |
| | | | (V) | (mA) | | (V) | (mA) | |
| 5.0 VA | 230 | TL35E-0050-012S | 12 | 416 | TL35E-0050-012 | 2 x 6 | 416 | TUV CE |
| | | TL35E-0050-014S | 14 | 357 | TL35E-0050-014 | 2 x 7 | 357 | |
| | | TL35E-0050-018S | 18 | 278 | TL35E-0050-018 | 2 x 9 | 278 | |
| | | TL35E-0050-024S | 24 | 208 | TL35E-0050-024 | 2 x 12 | 208 | |
| | | TL35E-0050-030S | 30 | 167 | TL35E-0050-030 | 2 x 15 | 167 | |
| | | TL35E-0050-036S | 36 | 139 | TL35E-0050-036 | 2 x 18 | 139 | |
| | | TL35E-0050-044S | 44 | 114 | TL35E-0050-044 | 2 x 22 | 114 | |
| | | TL35E-0050-048S | 48 | 104 | TL35E-0050-048 | 2 x 24 | 104 | |
| | 115 | TL35U-0050-012S | 12 | 416 | TL35U-0050-012 | 2 x 6 | 416 | UL * C-UL * |
| | | TL35U-0050-014S | 14 | 357 | TL35U-0050-014 | 2 x 7 | 357 | |
| | | TL35U-0050-018S | 18 | 278 | TL35U-0050-018 | 2 x 9 | 278 | |
| | | TL35U-0050-024S | 24 | 208 | TL35U-0050-024 | 2 x 12 | 208 | |
| | | TL35U-0050-030S | 30 | 167 | TL35U-0050-030 | 2 x 15 | 167 | |
| | | TL35U-0050-036S | 36 | 139 | TL35U-0050-036 | 2 x 18 | 139 | |
| | | TL35U-0050-044S | 44 | 114 | TL35U-0050-044 | 2 x 22 | 114 | |
| | | TL35U-0050-048S | 48 | 104 | TL35U-0050-048 | 2 x 24 | 104 | |
| | 2 x 115 | TL35-0050-012S | 12 | 416 | TL35-0050-012 | 2 x 6 | 416 | UL * C-UL * TUV CE |
| | | TL35-0050-014S | 14 | 357 | TL35-0050-014 | 2 x 7 | 357 | |
| | | TL35-0050-018S | 18 | 278 | TL35-0050-018 | 2 x 9 | 278 | |
| | | TL35-0050-024S | 24 | 208 | TL35-0050-024 | 2 x 12 | 208 | |
| | | TL35-0050-030S | 30 | 167 | TL35-0050-030 | 2 x 15 | 167 | |
| | | TL35-0050-036S | 36 | 139 | TL35-0050-036 | 2 x 18 | 139 | |
| | | TL35-0050-044S | 44 | 114 | TL35-0050-044 | 2 x 22 | 114 | |
| | | TL35-0050-048S | 48 | 104 | TL35-0050-048 | 2 x 24 | 104 | |
| 7.0 VA | 230 | TL35E-0070-012S | 12 | 583 | TL35E-0070-012 | 2 x 6 | 583 | TUV CE |
| | | TL35E-0070-014S | 14 | 500 | TL35E-0070-014 | 2 x 7 | 500 | |
| | | TL35E-0070-018S | 18 | 389 | TL35E-0070-018 | 2 x 9 | 389 | |
| | | TL35E-0070-024S | 24 | 292 | TL35E-0070-024 | 2 x 12 | 292 | |
| | | TL35E-0070-030S | 30 | 233 | TL35E-0070-030 | 2 x 15 | 233 | |
| | | TL35E-0070-036S | 36 | 194 | TL35E-0070-036 | 2 x 18 | 194 | |
| | | TL35E-0070-044S | 44 | 159 | TL35E-0070-044 | 2 x 22 | 159 | |
| | | TL35E-0070-048S | 48 | 145 | TL35E-0070-048 | 2 x 24 | 145 | |
| | TL35E-0070-230S | 230 | 30 | TL35E-0070-230 | 2 x 115 | 30 | | |
| | 115 | TL35U-0070-012S | 12 | 583 | TL35U-0070-012 | 2 x 6 | 583 | UL * C-UL * |
| | | TL35U-0070-014S | 14 | 500 | TL35U-0070-014 | 2 x 7 | 500 | |
| | | TL35U-0070-018S | 18 | 389 | TL35U-0070-018 | 2 x 9 | 389 | |
| | | TL35U-0070-024S | 24 | 292 | TL35U-0070-024 | 2 x 12 | 292 | |
| | | TL35U-0070-030S | 30 | 233 | TL35U-0070-030 | 2 x 15 | 233 | |
| | | TL35U-0070-036S | 36 | 194 | TL35U-0070-036 | 2 x 18 | 194 | |
| | | TL35U-0070-044S | 44 | 159 | TL35U-0070-044 | 2 x 22 | 159 | |
| | | TL35U-0070-048S | 48 | 145 | TL35U-0070-048 | 2 x 24 | 145 | |
| | TL35U-0070-230S | 230 | 30 | TL35U-0070-230 | 2 x 115 | 30 | | |
| | 2 x 115 | TL35-0070-012S | 12 | 583 | TL35-0070-012 | 2 x 6 | 583 | UL * C-UL * TUV CE |
| | | TL35-0070-014S | 14 | 500 | TL35-0070-014 | 2 x 7 | 500 | |
| | | TL35-0070-018S | 18 | 389 | TL35-0070-018 | 2 x 9 | 389 | |
| | | TL35-0070-024S | 24 | 292 | TL35-0070-024 | 2 x 12 | 292 | |
| | | TL35-0070-030S | 30 | 233 | TL35-0070-030 | 2 x 15 | 233 | |
| | | TL35-0070-036S | 36 | 194 | TL35-0070-036 | 2 x 18 | 194 | |
| TL35-0070-044S | | 44 | 159 | TL35-0070-044 | 2 x 22 | 159 | | |
| TL35-0070-048S | | 48 | 145 | TL35-0070-048 | 2 x 24 | 145 | | |
| TL35-0070-230S | 230 | 30 | TL35-0070-230 | 2 x 115 | 30 | | | |

Note: * UL and C-UL approvals are only available in the Dual Secondary parts.

| Product Series | Primary (V) | Single Secondary | | | Dual Secondary | | | Agency Approval |
|----------------|-----------------|------------------|------------------|---------------|----------------|------------------|-------|-----------------------------|
| | | Part Number | Secondary Rating | | Part Number | Secondary Rating | | |
| | | | (V) | (mA) | | (V) | (mA) | |
| 10 VA | 230 | TL35E-0100-012S | 12 | 833 | TL35E-0100-012 | 2 x 6 | 833 | TUV CE |
| | | TL35E-0100-014S | 14 | 714 | TL35E-0100-014 | 2 x 7 | 714 | |
| | | TL35E-0100-018S | 18 | 556 | TL35E-0100-018 | 2 x 9 | 556 | |
| | | TL35E-0100-024S | 24 | 417 | TL35E-0100-024 | 2 x 12 | 417 | |
| | | TL35E-0100-030S | 30 | 333 | TL35E-0100-030 | 2 x 15 | 333 | |
| | | TL35E-0100-036S | 36 | 278 | TL35E-0100-036 | 2 x 18 | 278 | |
| | | TL35E-0100-044S | 44 | 227 | TL35E-0100-044 | 2 x 22 | 227 | |
| | | TL35E-0100-048S | 48 | 208 | TL35E-0100-048 | 2 x 24 | 208 | |
| | | TL35E-0100-230S | 230 | 43 | TL35E-0100-230 | 2 x 115 | 43 | |
| | 115 | TL35U-0100-012S | 12 | 833 | TL35U-0100-012 | 2 x 6 | 833 | UL * C-UL * |
| | | TL35U-0100-014S | 14 | 714 | TL35U-0100-014 | 2 x 7 | 714 | |
| | | TL35U-0100-018S | 18 | 556 | TL35U-0100-018 | 2 x 9 | 556 | |
| | | TL35U-0100-024S | 24 | 417 | TL35U-0100-024 | 2 x 12 | 417 | |
| | | TL35U-0100-030S | 30 | 333 | TL35U-0100-030 | 2 x 15 | 333 | |
| | | TL35U-0100-036S | 36 | 278 | TL35U-0100-036 | 2 x 18 | 278 | |
| | | TL35U-0100-044S | 44 | 227 | TL35U-0100-044 | 2 x 22 | 227 | |
| | | TL35U-0100-048S | 48 | 208 | TL35U-0100-048 | 2 x 24 | 208 | |
| | | TL35U-0100-230S | 230 | 43 | TL35U-0100-230 | 2 x 115 | 43 | |
| | 2 x 115 | TL35-0100-012S | 12 | 833 | TL35-0100-012 | 2 x 6 | 833 | UL * C-UL * TUV CE |
| | | TL35-0100-014S | 14 | 714 | TL35-0100-014 | 2 x 7 | 714 | |
| | | TL35-0100-018S | 18 | 556 | TL35-0100-018 | 2 x 9 | 556 | |
| | | TL35-0100-024S | 24 | 417 | TL35-0100-024 | 2 x 12 | 417 | |
| | | TL35-0100-030S | 30 | 333 | TL35-0100-030 | 2 x 15 | 333 | |
| | | TL35-0100-036S | 36 | 278 | TL35-0100-036 | 2 x 18 | 278 | |
| TL35-0100-044S | | 44 | 227 | TL35-0100-044 | 2 x 22 | 227 | | |
| TL35-0100-048S | | 48 | 208 | TL35-0100-048 | 2 x 24 | 208 | | |
| TL35-0100-230S | | 230 | 43 | TL35-0100-230 | 2 x 115 | 43 | | |
| 15 VA | 230 | TL35E-0150-012S | 12 | 1250 | TL35E-0150-012 | 2 x 6 | 1250 | TUV CE |
| | | TL35E-0150-014S | 14 | 1071 | TL35E-0150-014 | 2 x 7 | 1071 | |
| | | TL35E-0150-018S | 18 | 833 | TL35E-0150-018 | 2 x 9 | 833 | |
| | | TL35E-0150-024S | 24 | 625 | TL35E-0150-024 | 2 x 12 | 625 | |
| | | TL35E-0150-030S | 30 | 500 | TL35E-0150-030 | 2 x 15 | 500 | |
| | | TL35E-0150-036S | 36 | 417 | TL35E-0150-036 | 2 x 18 | 417 | |
| | | TL35E-0150-044S | 44 | 341 | TL35E-0150-044 | 2 x 22 | 341 | |
| | | TL35E-0150-048S | 48 | 312 | TL35E-0150-048 | 2 x 24 | 312 | |
| | | 115 | TL35U-0150-012S | 12 | 1250 | TL35U-0150-012 | 2 x 6 | |
| | TL35U-0150-014S | | 14 | 1071 | TL35U-0150-014 | 2 x 7 | 1071 | |
| | TL35U-0150-018S | | 18 | 833 | TL35U-0150-018 | 2 x 9 | 833 | |
| | TL35U-0150-024S | | 24 | 625 | TL35U-0150-024 | 2 x 12 | 625 | |
| | TL35U-0150-030S | | 30 | 500 | TL35U-0150-030 | 2 x 15 | 500 | |
| | TL35U-0150-036S | | 36 | 417 | TL35U-0150-036 | 2 x 18 | 417 | |
| | TL35U-0150-044S | | 44 | 341 | TL35U-0150-044 | 2 x 22 | 341 | |
| | TL35U-0150-048S | | 48 | 312 | TL35U-0150-048 | 2 x 24 | 312 | |
| | 2 x 115 | | TL35-0150-012S | 12 | 1250 | TL35-0150-012 | 2 x 6 | 1250 |
| | | TL35-0150-014S | 14 | 1071 | TL35-0150-014 | 2 x 7 | 1071 | |
| | | TL35-0150-018S | 18 | 833 | TL35-0150-018 | 2 x 9 | 833 | |
| | | TL35-0150-024S | 24 | 625 | TL35-0150-024 | 2 x 12 | 625 | |
| | | TL35-0150-030S | 30 | 500 | TL35-0150-030 | 2 x 15 | 500 | |
| | | TL35-0150-036S | 36 | 417 | TL35-0150-036 | 2 x 18 | 417 | |
| | | TL35-0150-044S | 44 | 341 | TL35-0150-044 | 2 x 22 | 341 | |
| | | TL35-0150-048S | 48 | 312 | TL35-0150-048 | 2 x 24 | 312 | |

Note: * UL and C-UL approvals are only available in the Dual Secondary parts.

| Product Series | Primary (V) | Single Secondary | | | Dual Secondary | | | Agency Approval |
|----------------|-----------------|------------------|------------------|----------------|----------------|------------------|------|-----------------------------|
| | | Part Number | Secondary Rating | | Part Number | Secondary Rating | | |
| | | | (V) | (mA) | | (V) | (mA) | |
| 25 VA | 230 | TL35E-0250-012S | 12 | 2083 | TL35E-0250-012 | 2 x 6 | 2083 | TUV CE |
| | | TL35E-0250-014S | 14 | 1785 | TL35E-0250-014 | 2 x 7 | 1785 | |
| | | TL35E-0250-018S | 18 | 1377 | TL35E-0250-018 | 2 x 9 | 1377 | |
| | | TL35E-0250-024S | 24 | 1041 | TL35E-0250-024 | 2 x 12 | 1041 | |
| | | TL35E-0250-030S | 30 | 832 | TL35E-0250-030 | 2 x 15 | 832 | |
| | | TL35E-0250-036S | 36 | 694 | TL35E-0250-036 | 2 x 18 | 694 | |
| | | TL35E-0250-044S | 44 | 568 | TL35E-0250-044 | 2 x 22 | 568 | |
| | | TL35E-0250-048S | 48 | 520 | TL35E-0250-048 | 2 x 24 | 520 | |
| | TL35E-0250-230S | 230 | 108 | TL35E-0250-230 | 2 x 115 | 108 | | |
| | 115 | TL35U-0250-012S | 12 | 2083 | TL35U-0250-012 | 2 x 6 | 2083 | UL * C-UL * |
| | | TL35U-0250-014S | 14 | 1785 | TL35U-0250-014 | 2 x 7 | 1785 | |
| | | TL35U-0250-018S | 18 | 1377 | TL35U-0250-018 | 2 x 9 | 1377 | |
| | | TL35U-0250-024S | 24 | 1041 | TL35U-0250-024 | 2 x 12 | 1041 | |
| | | TL35U-0250-030S | 30 | 832 | TL35U-0250-030 | 2 x 15 | 832 | |
| | | TL35U-0250-036S | 36 | 694 | TL35U-0250-036 | 2 x 18 | 694 | |
| | | TL35U-0250-044S | 44 | 568 | TL35U-0250-044 | 2 x 22 | 568 | |
| | | TL35U-0250-048S | 48 | 520 | TL35U-0250-048 | 2 x 24 | 520 | |
| | TL35U-0250-230S | 230 | 108 | TL35U-0250-230 | 2 x 115 | 108 | | |
| | 2 x 115 | TL35-0250-012S | 12 | 2083 | TL35-0250-012 | 2 x 6 | 2083 | UL * C-UL * TUV CE |
| | | TL35-0250-014S | 14 | 1785 | TL35-0250-014 | 2 x 7 | 1785 | |
| | | TL35-0250-018S | 18 | 1377 | TL35-0250-018 | 2 x 9 | 1377 | |
| | | TL35-0250-024S | 24 | 1041 | TL35-0250-024 | 2 x 12 | 1041 | |
| | | TL35-0250-030S | 30 | 832 | TL35-0250-030 | 2 x 15 | 832 | |
| | | TL35-0250-036S | 36 | 694 | TL35-0250-036 | 2 x 18 | 694 | |
| TL35-0250-044S | | 44 | 568 | TL35-0250-044 | 2 x 22 | 568 | | |
| TL35-0250-048S | | 48 | 520 | TL35-0250-048 | 2 x 24 | 520 | | |
| TL35-0250-230S | 230 | 108 | TL35-0250-230 | 2 x 115 | 108 | | | |
| 35 VA | 230 | TL35E-0350-012S | 12 | 2916 | TL35E-0350-012 | 2 x 6 | 2916 | TUV CE |
| | | TL35E-0350-014S | 14 | 2500 | TL35E-0350-014 | 2 x 7 | 2500 | |
| | | TL35E-0350-018S | 18 | 1944 | TL35E-0350-018 | 2 x 9 | 1944 | |
| | | TL35E-0350-024S | 24 | 1458 | TL35E-0350-024 | 2 x 12 | 1458 | |
| | | TL35E-0350-030S | 30 | 1167 | TL35E-0350-030 | 2 x 15 | 1167 | |
| | | TL35E-0350-036S | 36 | 972 | TL35E-0350-036 | 2 x 18 | 972 | |
| | | TL35E-0350-044S | 44 | 795 | TL35E-0350-044 | 2 x 22 | 795 | |
| | | TL35E-0350-048S | 48 | 729 | TL35E-0350-048 | 2 x 24 | 729 | |
| | TL35E-0350-230S | 230 | 152 | TL35E-0350-230 | 2 x 115 | 152 | | |
| | 115 | TL35U-0350-012S | 12 | 2916 | TL35U-0350-012 | 2 x 6 | 2916 | UL * C-UL * |
| | | TL35U-0350-014S | 14 | 2500 | TL35U-0350-014 | 2 x 7 | 2500 | |
| | | TL35U-0350-018S | 18 | 1944 | TL35U-0350-018 | 2 x 9 | 1944 | |
| | | TL35U-0350-024S | 24 | 1458 | TL35U-0350-024 | 2 x 12 | 1458 | |
| | | TL35U-0350-030S | 30 | 1167 | TL35U-0350-030 | 2 x 15 | 1167 | |
| | | TL35U-0350-036S | 36 | 972 | TL35U-0350-036 | 2 x 18 | 972 | |
| | | TL35U-0350-044S | 44 | 795 | TL35U-0350-044 | 2 x 22 | 795 | |
| | | TL35U-0350-048S | 48 | 729 | TL35U-0350-048 | 2 x 24 | 729 | |
| | TL35U-0350-230S | 230 | 152 | TL35U-0350-230 | 2 x 115 | 152 | | |
| | 2 x 115 | TL35-0350-012S | 12 | 2916 | TL35-0350-012 | 2 x 6 | 2916 | UL * C-UL * TUV CE |
| | | TL35-0350-014S | 14 | 2500 | TL35-0350-014 | 2 x 7 | 2500 | |
| | | TL35-0350-018S | 18 | 1944 | TL35-0350-018 | 2 x 9 | 1944 | |
| | | TL35-0350-024S | 24 | 1458 | TL35-0350-024 | 2 x 12 | 1458 | |
| | | TL35-0350-030S | 30 | 1167 | TL35-0350-030 | 2 x 15 | 1167 | |
| | | TL35-0350-036S | 36 | 972 | TL35-0350-036 | 2 x 18 | 972 | |
| TL35-0350-044S | | 44 | 795 | TL35-0350-044 | 2 x 22 | 795 | | |
| TL35-0350-048S | | 48 | 729 | TL35-0350-048 | 2 x 24 | 729 | | |
| TL35-0350-230S | 230 | 152 | TL35-0350-230 | 2 x 115 | 152 | | | |

Note: * UL and C-UL approvals are only available in the Dual Secondary parts.

| Product Series | Primary (V) | Single Secondary | | | Dual Secondary | | | Agency Approval |
|----------------|-----------------|------------------|------------------|----------------|----------------|------------------|------|-----------------------------|
| | | Part Number | Secondary Rating | | Part Number | Secondary Rating | | |
| | | | (V) | (mA) | | (V) | (mA) | |
| 50 VA | 230 | TL35E-0500-012S | 12 | 4166 | TL35E-0500-012 | 2 x 6 | 4166 | TUV CE |
| | | TL35E-0500-014S | 14 | 3571 | TL35E-0500-014 | 2 x 7 | 3571 | |
| | | TL35E-0500-018S | 18 | 2777 | TL35E-0500-018 | 2 x 9 | 2777 | |
| | | TL35E-0500-024S | 24 | 2083 | TL35E-0500-024 | 2 x 12 | 2083 | |
| | | TL35E-0500-030S | 30 | 1666 | TL35E-0500-030 | 2 x 15 | 1666 | |
| | | TL35E-0500-036S | 36 | 1388 | TL35E-0500-036 | 2 x 18 | 1388 | |
| | | TL35E-0500-044S | 44 | 1136 | TL35E-0500-044 | 2 x 22 | 1136 | |
| | | TL35E-0500-048S | 48 | 1041 | TL35E-0500-048 | 2 x 24 | 1041 | |
| | TL35E-0500-230S | 230 | 217 | TL35E-0500-230 | 2 x 115 | 217 | | |
| | 115 | TL35U-0500-012S | 12 | 4166 | TL35U-0500-012 | 2 x 6 | 4166 | UL * C-UL * |
| | | TL35U-0500-014S | 14 | 3571 | TL35U-0500-014 | 2 x 7 | 3571 | |
| | | TL35U-0500-018S | 18 | 2777 | TL35U-0500-018 | 2 x 9 | 2777 | |
| | | TL35U-0500-024S | 24 | 2083 | TL35U-0500-024 | 2 x 12 | 2083 | |
| | | TL35U-0500-030S | 30 | 1666 | TL35U-0500-030 | 2 x 15 | 1666 | |
| | | TL35U-0500-036S | 36 | 1388 | TL35U-0500-036 | 2 x 18 | 1388 | |
| | | TL35U-0500-044S | 44 | 1136 | TL35U-0500-044 | 2 x 22 | 1136 | |
| | | TL35U-0500-048S | 48 | 1041 | TL35U-0500-048 | 2 x 24 | 1041 | |
| | TL35U-0500-230S | 230 | 217 | TL35U-0500-230 | 2 x 115 | 217 | | |
| | 2 x 115 | TL35-0500-012S | 12 | 4166 | TL35-0500-012 | 2 x 6 | 4166 | UL * C-UL * TUV CE |
| | | TL35-0500-014S | 14 | 3571 | TL35-0500-014 | 2 x 7 | 3571 | |
| | | TL35-0500-018S | 18 | 2777 | TL35-0500-018 | 2 x 9 | 2777 | |
| | | TL35-0500-024S | 24 | 2083 | TL35-0500-024 | 2 x 12 | 2083 | |
| | | TL35-0500-030S | 30 | 1666 | TL35-0500-030 | 2 x 15 | 1666 | |
| | | TL35-0500-036S | 36 | 1388 | TL35-0500-036 | 2 x 18 | 1388 | |
| TL35-0500-044S | | 44 | 1136 | TL35-0500-044 | 2 x 22 | 1136 | | |
| TL35-0500-048S | | 48 | 1041 | TL35-0500-048 | 2 x 24 | 1041 | | |
| TL35-0500-230S | 230 | 217 | TL35-0500-230 | 2 x 115 | 217 | | | |
| 65 VA | 230 | TL35E-0650-012S | 12 | 5416 | TL35E-0650-012 | 2 x 6 | 5416 | TUV CE |
| | | TL35E-0650-014S | 14 | 4642 | TL35E-0650-014 | 2 x 7 | 4642 | |
| | | TL35E-0650-018S | 18 | 3611 | TL35E-0650-018 | 2 x 9 | 3611 | |
| | | TL35E-0650-024S | 24 | 2708 | TL35E-0650-024 | 2 x 12 | 2708 | |
| | | TL35E-0650-030S | 30 | 2166 | TL35E-0650-030 | 2 x 15 | 2166 | |
| | | TL35E-0650-036S | 36 | 1805 | TL35E-0650-036 | 2 x 18 | 1805 | |
| | | TL35E-0650-044S | 44 | 1477 | TL35E-0650-044 | 2 x 22 | 1477 | |
| | | TL35E-0650-048S | 48 | 1354 | TL35E-0650-048 | 2 x 24 | 1354 | |
| | TL35E-0650-230S | 230 | 282 | TL35E-0650-230 | 2 x 115 | 282 | | |
| | 115 | TL35U-0650-012S | 12 | 5416 | TL35U-0650-012 | 2 x 6 | 5416 | UL * C-UL * |
| | | TL35U-0650-014S | 14 | 4642 | TL35U-0650-014 | 2 x 7 | 4642 | |
| | | TL35U-0650-018S | 18 | 3611 | TL35U-0650-018 | 2 x 9 | 3611 | |
| | | TL35U-0650-024S | 24 | 2708 | TL35U-0650-024 | 2 x 12 | 2708 | |
| | | TL35U-0650-030S | 30 | 2166 | TL35U-0650-030 | 2 x 15 | 2166 | |
| | | TL35U-0650-036S | 36 | 1805 | TL35U-0650-036 | 2 x 18 | 1805 | |
| | | TL35U-0650-044S | 44 | 1477 | TL35U-0650-044 | 2 x 22 | 1477 | |
| | | TL35U-0650-048S | 48 | 1354 | TL35U-0650-048 | 2 x 24 | 1354 | |
| | TL35U-0650-230S | 230 | 282 | TL35U-0650-230 | 2 x 115 | 282 | | |
| | 2 x 115 | TL35-0650-012S | 12 | 5416 | TL35-0650-012 | 2 x 6 | 5416 | UL * C-UL * TUV CE |
| | | TL35-0650-014S | 14 | 4642 | TL35-0650-014 | 2 x 7 | 4642 | |
| | | TL35-0650-018S | 18 | 3611 | TL35-0650-018 | 2 x 9 | 3611 | |
| | | TL35-0650-024S | 24 | 2708 | TL35-0650-024 | 2 x 12 | 2708 | |
| | | TL35-0650-030S | 30 | 2166 | TL35-0650-030 | 2 x 15 | 2166 | |
| | | TL35-0650-036S | 36 | 1805 | TL35-0650-036 | 2 x 18 | 1805 | |
| TL35-0650-044S | | 44 | 1477 | TL35-0650-044 | 2 x 22 | 1477 | | |
| TL35-0650-048S | | 48 | 1354 | TL35-0650-048 | 2 x 24 | 1354 | | |
| TL35-0650-230S | 230 | 282 | TL35-0650-230 | 2 x 115 | 282 | | | |

Note: * UL and C-UL approvals are only available in the Dual Secondary parts.

| Product Series | Primary (V) | Single Secondary | | | Dual Secondary | | | Agency Approval |
|----------------|-------------|------------------|------------------|---------------|----------------|------------------|------|-----------------------------|
| | | Part Number | Secondary Rating | | Part Number | Secondary Rating | | |
| | | | (V) | (mA) | | (V) | (mA) | |
| 85 VA | 230 | TL35E-0850-012S | 12 | 7083 | TL35E-0850-012 | 2 x 6 | 7083 | TUV CE |
| | | TL35E-0850-014S | 14 | 6071 | TL35E-0850-014 | 2 x 7 | 6071 | |
| | | TL35E-0850-018S | 18 | 4722 | TL35E-0850-018 | 2 x 9 | 4722 | |
| | | TL35E-0850-024S | 24 | 3541 | TL35E-0850-024 | 2 x 12 | 3541 | |
| | | TL35E-0850-030S | 30 | 2833 | TL35E-0850-030 | 2 x 15 | 2833 | |
| | | TL35E-0850-036S | 36 | 2361 | TL35E-0850-036 | 2 x 18 | 2361 | |
| | | TL35E-0850-044S | 44 | 1931 | TL35E-0850-044 | 2 x 22 | 1931 | |
| | | TL35E-0850-048S | 48 | 1770 | TL35E-0850-048 | 2 x 24 | 1770 | |
| | | TL35E-0850-230S | 230 | 369 | TL35E-0850-230 | 2 x 115 | 369 | |
| | 115 | TL35U-0850-012S | 12 | 7083 | TL35U-0850-012 | 2 x 6 | 7083 | UL * C-UL * |
| | | TL35U-0850-014S | 14 | 6071 | TL35U-0850-014 | 2 x 7 | 6071 | |
| | | TL35U-0850-018S | 18 | 4722 | TL35U-0850-018 | 2 x 9 | 4722 | |
| | | TL35U-0850-024S | 24 | 3541 | TL35U-0850-024 | 2 x 12 | 3541 | |
| | | TL35U-0850-030S | 30 | 2833 | TL35U-0850-030 | 2 x 15 | 2833 | |
| | | TL35U-0850-036S | 36 | 2361 | TL35U-0850-036 | 2 x 18 | 2361 | |
| | | TL35U-0850-044S | 44 | 1931 | TL35U-0850-044 | 2 x 22 | 1931 | |
| | | TL35U-0850-048S | 48 | 1770 | TL35U-0850-048 | 2 x 24 | 1770 | |
| | | TL35U-0850-230S | 230 | 369 | TL35U-0850-230 | 2 x 115 | 369 | |
| | 2 x 115 | TL35-0850-012S | 12 | 7083 | TL35-0850-012 | 2 x 6 | 7083 | UL * C-UL * TUV CE |
| | | TL35-0850-014S | 14 | 6071 | TL35-0850-014 | 2 x 7 | 6071 | |
| | | TL35-0850-018S | 18 | 4722 | TL35-0850-018 | 2 x 9 | 4722 | |
| | | TL35-0850-024S | 24 | 3541 | TL35-0850-024 | 2 x 12 | 3541 | |
| | | TL35-0850-030S | 30 | 2833 | TL35-0850-030 | 2 x 15 | 2833 | |
| | | TL35-0850-036S | 36 | 2361 | TL35-0850-036 | 2 x 18 | 2361 | |
| TL35-0850-044S | | 44 | 1931 | TL35-0850-044 | 2 x 22 | 1931 | | |
| TL35-0850-048S | | 48 | 1770 | TL35-0850-048 | 2 x 24 | 1770 | | |
| TL35-0850-230S | | 230 | 369 | TL35-0850-230 | 2 x 115 | 369 | | |

Note: * UL and C-UL approvals are only available in the Dual Secondary parts.

| Product Series | Primary (V) | Single Secondary | | | Dual Secondary | | | Agency Approval |
|----------------|-----------------|------------------|------------------|---------------|----------------|------------------|-------|-----------------|
| | | Part Number | Secondary Rating | | Part Number | Secondary Rating | | |
| | | | (V) | (A) | | (V) | (A) | |
| 100 VA | 230 | TL35E-1000-018S | 18 | 5.55 | TL35E-1000-018 | 2 x 9 | 5.55 | TUV CE |
| | | TL35E-1000-020S | 20 | 5.00 | TL35E-1000-020 | 2 x 10 | 5.00 | |
| | | TL35E-1000-024S | 24 | 4.16 | TL35E-1000-024 | 2 x 12 | 4.16 | |
| | | TL35E-1000-028S | 28 | 3.57 | TL35E-1000-028 | 2 x 14 | 3.57 | |
| | | TL35E-1000-030S | 30 | 3.33 | TL35E-1000-030 | 2 x 15 | 3.33 | |
| | | TL35E-1000-036S | 36 | 2.77 | TL35E-1000-036 | 2 x 18 | 2.77 | |
| | | TL35E-1000-044S | 44 | 2.27 | TL35E-1000-044 | 2 x 22 | 2.27 | |
| | | TL35E-1000-048S | 48 | 2.08 | TL35E-1000-048 | 2 x 24 | 2.08 | |
| | | TL35E-1000-060S | 60 | 1.66 | TL35E-1000-060 | 2 x 30 | 1.66 | |
| | | TL35E-1000-070S | 70 | 1.42 | TL35E-1000-070 | 2 x 35 | 1.42 | |
| | | TL35E-1000-076S | 76 | 1.31 | TL35E-1000-076 | 2 x 38 | 1.31 | |
| | | TL35E-1000-110S | 110 | 0.90 | TL35E-1000-110 | 2 x 55 | 0.90 | |
| | | TL35E-1000-230S | 230 | 0.43 | TL35E-1000-230 | 2 x 115 | 0.43 | |
| | | 115 | TL35U-1000-018S | 18 | 5.55 | TL35U-1000-018 | 2 x 9 | |
| | TL35U-1000-020S | | 20 | 5.00 | TL35U-1000-020 | 2 x 10 | 5.00 | |
| | TL35U-1000-024S | | 24 | 4.16 | TL35U-1000-024 | 2 x 12 | 4.16 | |
| | TL35U-1000-028S | | 28 | 3.57 | TL35U-1000-028 | 2 x 14 | 3.57 | |
| | TL35U-1000-030S | | 30 | 3.33 | TL35U-1000-030 | 2 x 15 | 3.33 | |
| | TL35U-1000-036S | | 36 | 2.77 | TL35U-1000-036 | 2 x 18 | 2.77 | |
| | TL35U-1000-044S | | 44 | 2.27 | TL35U-1000-044 | 2 x 22 | 2.27 | |
| | TL35U-1000-048S | | 48 | 2.08 | TL35U-1000-048 | 2 x 24 | 2.08 | |
| | TL35U-1000-060S | | 60 | 1.66 | TL35U-1000-060 | 2 x 30 | 1.66 | |
| | TL35U-1000-070S | | 70 | 1.42 | TL35U-1000-070 | 2 x 35 | 1.42 | |
| | TL35U-1000-076S | | 76 | 1.31 | TL35U-1000-076 | 2 x 38 | 1.31 | |
| | TL35U-1000-110S | | 110 | 0.90 | TL35U-1000-110 | 2 x 55 | 0.90 | |
| | TL35U-1000-230S | | 230 | 0.43 | TL35U-1000-230 | 2 x 115 | 0.43 | |
| | 2 x 115 | | TL35-1000-018S | 18 | 5.55 | TL35-1000-018 | 2 x 9 | 5.55 |
| TL35-1000-020S | | 20 | 5.00 | TL35-1000-020 | 2 x 10 | 5.00 | | |
| TL35-1000-024S | | 24 | 4.16 | TL35-1000-024 | 2 x 12 | 4.16 | | |
| TL35-1000-028S | | 28 | 3.57 | TL35-1000-028 | 2 x 14 | 3.57 | | |
| TL35-1000-030S | | 30 | 3.33 | TL35-1000-030 | 2 x 15 | 3.33 | | |
| TL35-1000-036S | | 36 | 2.77 | TL35-1000-036 | 2 x 18 | 2.77 | | |
| TL35-1000-044S | | 44 | 2.27 | TL35-1000-044 | 2 x 22 | 2.27 | | |
| TL35-1000-048S | | 48 | 2.08 | TL35-1000-048 | 2 x 24 | 2.08 | | |
| TL35-1000-060S | | 60 | 1.66 | TL35-1000-060 | 2 x 30 | 1.66 | | |
| TL35-1000-070S | | 70 | 1.42 | TL35-1000-070 | 2 x 35 | 1.42 | | |
| TL35-1000-076S | | 76 | 1.31 | TL35-1000-076 | 2 x 38 | 1.31 | | |
| TL35-1000-110S | | 110 | 0.90 | TL35-1000-110 | 2 x 55 | 0.90 | | |
| TL35-1000-230S | | 230 | 0.43 | TL35-1000-230 | 2 x 115 | 0.43 | | |

Note: * UL and C-UL approvals are only available in the Dual Secondary parts.

| Product Series | Primary (V) | Single Secondary | | | Dual Secondary | | | Agency Approval |
|-----------------|-----------------|------------------|------------------|----------------|----------------|------------------|-----------------------------|-----------------|
| | | Part Number | Secondary Rating | | Part Number | Secondary Rating | | |
| | | | (V) | (A) | | (V) | (A) | |
| 120 VA | 230 | TL35E-1200-018S | 18 | 6.66 | TL35E-1200-018 | 2 x 9 | 6.66 | TUV CE |
| | | TL35E-1200-020S | 20 | 6.00 | TL35E-1200-020 | 2 x 10 | 6.00 | |
| | | TL35E-1200-024S | 24 | 5.00 | TL35E-1200-024 | 2 x 12 | 5.00 | |
| | | TL35E-1200-028S | 28 | 4.29 | TL35E-1200-028 | 2 x 14 | 4.29 | |
| | | TL35E-1200-030S | 30 | 4.00 | TL35E-1200-030 | 2 x 15 | 4.00 | |
| | | TL35E-1200-036S | 36 | 3.33 | TL35E-1200-036 | 2 x 18 | 3.33 | |
| | | TL35E-1200-044S | 44 | 2.72 | TL35E-1200-044 | 2 x 22 | 2.72 | |
| | | TL35E-1200-048S | 48 | 2.50 | TL35E-1200-048 | 2 x 24 | 2.50 | |
| | | TL35E-1200-060S | 60 | 2.00 | TL35E-1200-060 | 2 x 30 | 2.00 | |
| | | TL35E-1200-070S | 70 | 1.71 | TL35E-1200-070 | 2 x 35 | 1.71 | |
| | | TL35E-1200-076S | 76 | 1.57 | TL35E-1200-076 | 2 x 38 | 1.57 | |
| | | TL35E-1200-110S | 110 | 1.09 | TL35E-1200-110 | 2 x 55 | 1.09 | |
| | TL35E-1200-230S | 230 | 0.52 | TL35E-1200-230 | 2 x 115 | 0.52 | | |
| | 115 | TL35U-1200-018S | 18 | 6.66 | TL35U-1200-018 | 2 x 9 | 6.66 | UL * C-UL * |
| | | TL35U-1200-020S | 20 | 6.00 | TL35U-1200-020 | 2 x 10 | 6.00 | |
| | | TL35U-1200-024S | 24 | 5.00 | TL35U-1200-024 | 2 x 12 | 5.00 | |
| | | TL35U-1200-028S | 28 | 4.29 | TL35U-1200-028 | 2 x 14 | 4.29 | |
| | | TL35U-1200-030S | 30 | 4.00 | TL35U-1200-030 | 2 x 15 | 4.00 | |
| | | TL35U-1200-036S | 36 | 3.33 | TL35U-1200-036 | 2 x 18 | 3.33 | |
| | | TL35U-1200-044S | 44 | 2.72 | TL35U-1200-044 | 2 x 22 | 2.72 | |
| | | TL35U-1200-048S | 48 | 2.50 | TL35U-1200-048 | 2 x 24 | 2.50 | |
| | | TL35U-1200-060S | 60 | 2.00 | TL35U-1200-060 | 2 x 30 | 2.00 | |
| | | TL35U-1200-070S | 70 | 1.71 | TL35U-1200-070 | 2 x 35 | 1.71 | |
| | | TL35U-1200-076S | 76 | 1.57 | TL35U-1200-076 | 2 x 38 | 1.57 | |
| TL35U-1200-110S | | 110 | 1.09 | TL35U-1200-110 | 2 x 55 | 1.09 | | |
| TL35U-1200-230S | 230 | 0.52 | TL35U-1200-230 | 2 x 115 | 0.52 | | | |
| 2 x 115 | TL35-1200-018S | 18 | 6.66 | TL35-1200-018 | 2 x 9 | 6.66 | UL * C-UL * TUV CE | |
| | TL35-1200-020S | 20 | 6.00 | TL35-1200-020 | 2 x 10 | 6.00 | | |
| | TL35-1200-024S | 24 | 5.00 | TL35-1200-024 | 2 x 12 | 5.00 | | |
| | TL35-1200-028S | 28 | 4.29 | TL35-1200-028 | 2 x 14 | 4.29 | | |
| | TL35-1200-030S | 30 | 4.00 | TL35-1200-030 | 2 x 15 | 4.00 | | |
| | TL35-1200-036S | 36 | 3.33 | TL35-1200-036 | 2 x 18 | 3.33 | | |
| | TL35-1200-044S | 44 | 2.72 | TL35-1200-044 | 2 x 22 | 2.72 | | |
| | TL35-1200-048S | 48 | 2.50 | TL35-1200-048 | 2 x 24 | 2.50 | | |
| | TL35-1200-060S | 60 | 2.00 | TL35-1200-060 | 2 x 30 | 2.00 | | |
| | TL35-1200-070S | 70 | 1.71 | TL35-1200-070 | 2 x 35 | 1.71 | | |
| | TL35-1200-076S | 76 | 1.57 | TL35-1200-076 | 2 x 38 | 1.57 | | |
| | TL35-1200-110S | 110 | 1.09 | TL35-1200-110 | 2 x 55 | 1.09 | | |
| TL35-1200-230S | 230 | 0.52 | TL35-1200-230 | 2 x 115 | 0.52 | | | |

Note: * UL and C-UL approvals are only available in the Dual Secondary parts.

| Product Series | Primary (V) | Single Secondary | | | Dual Secondary | | | Agency Approval |
|----------------|----------------|------------------|------------------|---------------|----------------|------------------|-----------------------------|-----------------|
| | | Part Number | Secondary Rating | | Part Number | Secondary Rating | | |
| | | | (V) | (A) | | (V) | (A) | |
| 160 VA | 230 | TL35E-1600-020S | 20 | 8.00 | TL35E-1600-020 | 2 x 10 | 8.00 | TUV CE |
| | | TL35E-1600-024S | 24 | 6.66 | TL35E-1600-024 | 2 x 12 | 6.66 | |
| | | TL35E-1600-028S | 28 | 5.71 | TL35E-1600-028 | 2 x 14 | 5.71 | |
| | | TL35E-1600-030S | 30 | 5.33 | TL35E-1600-030 | 2 x 15 | 5.33 | |
| | | TL35E-1600-036S | 36 | 4.44 | TL35E-1600-036 | 2 x 18 | 4.44 | |
| | | TL35E-1600-044S | 44 | 3.63 | TL35E-1600-044 | 2 x 22 | 3.63 | |
| | | TL35E-1600-048S | 48 | 3.33 | TL35E-1600-048 | 2 x 24 | 3.33 | |
| | | TL35E-1600-060S | 60 | 2.66 | TL35E-1600-060 | 2 x 30 | 2.66 | |
| | | TL35E-1600-070S | 70 | 2.28 | TL35E-1600-070 | 2 x 35 | 2.28 | |
| | | TL35E-1600-076S | 76 | 2.10 | TL35E-1600-076 | 2 x 38 | 2.10 | |
| | | TL35E-1600-110S | 110 | 1.45 | TL35E-1600-110 | 2 x 55 | 1.45 | |
| | | TL35E-1600-230S | 230 | 0.69 | TL35E-1600-230 | 2 x 115 | 0.69 | |
| | 115 | TL35U-1600-020S | 20 | 8.00 | TL35U-1600-020 | 2 x 10 | 8.00 | UL * C-UL * |
| | | TL35U-1600-024S | 24 | 6.66 | TL35U-1600-024 | 2 x 12 | 6.66 | |
| | | TL35U-1600-028S | 28 | 5.71 | TL35U-1600-028 | 2 x 14 | 5.71 | |
| | | TL35U-1600-030S | 30 | 5.33 | TL35U-1600-030 | 2 x 15 | 5.33 | |
| | | TL35U-1600-036S | 36 | 4.44 | TL35U-1600-036 | 2 x 18 | 4.44 | |
| | | TL35U-1600-044S | 44 | 3.63 | TL35U-1600-044 | 2 x 22 | 3.63 | |
| | | TL35U-1600-048S | 48 | 3.33 | TL35U-1600-048 | 2 x 24 | 3.33 | |
| | | TL35U-1600-060S | 60 | 2.66 | TL35U-1600-060 | 2 x 30 | 2.66 | |
| | | TL35U-1600-070S | 70 | 2.28 | TL35U-1600-070 | 2 x 35 | 2.28 | |
| | | TL35U-1600-076S | 76 | 2.10 | TL35U-1600-076 | 2 x 38 | 2.10 | |
| | | TL35U-1600-110S | 110 | 1.45 | TL35U-1600-110 | 2 x 55 | 1.45 | |
| | | TL35U-1600-230S | 230 | 0.69 | TL35U-1600-230 | 2 x 115 | 0.69 | |
| 2 x 115 | TL35-1600-020S | 20 | 8.00 | TL35-1600-020 | 2 x 10 | 8.00 | UL * C-UL * TUV CE | |
| | TL35-1600-024S | 24 | 6.66 | TL35-1600-024 | 2 x 12 | 6.66 | | |
| | TL35-1600-028S | 28 | 5.71 | TL35-1600-028 | 2 x 14 | 5.71 | | |
| | TL35-1600-030S | 30 | 5.33 | TL35-1600-030 | 2 x 15 | 5.33 | | |
| | TL35-1600-036S | 36 | 4.44 | TL35-1600-036 | 2 x 18 | 4.44 | | |
| | TL35-1600-044S | 44 | 3.63 | TL35-1600-044 | 2 x 22 | 3.63 | | |
| | TL35-1600-048S | 48 | 3.33 | TL35-1600-048 | 2 x 24 | 3.33 | | |
| | TL35-1600-060S | 60 | 2.66 | TL35-1600-060 | 2 x 30 | 2.66 | | |
| | TL35-1600-070S | 70 | 2.28 | TL35-1600-070 | 2 x 35 | 2.28 | | |
| | TL35-1600-076S | 76 | 2.10 | TL35-1600-076 | 2 x 38 | 2.10 | | |
| | TL35-1600-110S | 110 | 1.45 | TL35-1600-110 | 2 x 55 | 1.45 | | |
| | TL35-1600-230S | 230 | 0.69 | TL35-1600-230 | 2 x 115 | 0.69 | | |

Note: * UL and C-UL approvals are only available in the Dual Secondary parts.

| Product Series | Primary (V) | Single Secondary | | | Dual Secondary | | | Agency Approval |
|----------------|-----------------|------------------|------------------|---------------|----------------|------------------|--------|-----------------|
| | | Part Number | Secondary Rating | | Part Number | Secondary Rating | | |
| | | | (V) | (A) | | (V) | (A) | |
| 200 VA | 230 | TL35E-2000-024S | 24 | 8.33 | TL35E-2000-024 | 2 x 12 | 8.33 | TUV CE |
| | | TL35E-2000-028S | 28 | 7.14 | TL35E-2000-028 | 2 x 14 | 7.14 | |
| | | TL35E-2000-030S | 30 | 6.66 | TL35E-2000-030 | 2 x 15 | 6.66 | |
| | | TL35E-2000-036S | 36 | 5.55 | TL35E-2000-036 | 2 x 18 | 5.55 | |
| | | TL35E-2000-044S | 44 | 4.54 | TL35E-2000-044 | 2 x 22 | 4.54 | |
| | | TL35E-2000-048S | 48 | 4.16 | TL35E-2000-048 | 2 x 24 | 4.16 | |
| | | TL35E-2000-060S | 60 | 3.33 | TL35E-2000-060 | 2 x 30 | 3.33 | |
| | | TL35E-2000-070S | 70 | 2.85 | TL35E-2000-070 | 2 x 35 | 2.85 | |
| | | TL35E-2000-076S | 76 | 2.63 | TL35E-2000-076 | 2 x 38 | 2.63 | |
| | | TL35E-2000-110S | 110 | 1.81 | TL35E-2000-110 | 2 x 55 | 1.81 | |
| | | TL35E-2000-230S | 230 | 0.86 | TL35E-2000-230 | 2 x 115 | 0.86 | |
| | | 115 | TL35U-2000-024S | 24 | 8.33 | TL35U-2000-024 | 2 x 12 | |
| | TL35U-2000-028S | | 28 | 7.14 | TL35U-2000-028 | 2 x 14 | 7.14 | |
| | TL35U-2000-030S | | 30 | 6.66 | TL35U-2000-030 | 2 x 15 | 6.66 | |
| | TL35U-2000-036S | | 36 | 5.55 | TL35U-2000-036 | 2 x 18 | 5.55 | |
| | TL35U-2000-044S | | 44 | 4.54 | TL35U-2000-044 | 2 x 22 | 4.54 | |
| | TL35U-2000-048S | | 48 | 4.16 | TL35U-2000-048 | 2 x 24 | 4.16 | |
| | TL35U-2000-060S | | 60 | 3.33 | TL35U-2000-060 | 2 x 30 | 3.33 | |
| | TL35U-2000-070S | | 70 | 2.85 | TL35U-2000-070 | 2 x 35 | 2.85 | |
| | TL35U-2000-076S | | 76 | 2.63 | TL35U-2000-076 | 2 x 38 | 2.63 | |
| | TL35U-2000-110S | | 110 | 1.81 | TL35U-2000-110 | 2 x 55 | 1.81 | |
| | TL35U-2000-230S | | 230 | 0.86 | TL35U-2000-230 | 2 x 115 | 0.86 | |
| | 2 x 115 | | TL35-2000-024S | 24 | 8.33 | TL35-2000-024 | 2 x 12 | 8.33 |
| | | TL35-2000-028S | 28 | 7.14 | TL35-2000-028 | 2 x 14 | 7.14 | |
| TL35-2000-030S | | 30 | 6.66 | TL35-2000-030 | 2 x 15 | 6.66 | | |
| TL35-2000-036S | | 36 | 5.55 | TL35-2000-036 | 2 x 18 | 5.55 | | |
| TL35-2000-044S | | 44 | 4.54 | TL35-2000-044 | 2 x 22 | 4.54 | | |
| TL35-2000-048S | | 48 | 4.16 | TL35-2000-048 | 2 x 24 | 4.16 | | |
| TL35-2000-060S | | 60 | 3.33 | TL35-2000-060 | 2 x 30 | 3.33 | | |
| TL35-2000-070S | | 70 | 2.85 | TL35-2000-070 | 2 x 35 | 2.85 | | |
| TL35-2000-076S | | 76 | 2.63 | TL35-2000-076 | 2 x 38 | 2.63 | | |
| TL35-2000-110S | | 110 | 1.81 | TL35-2000-110 | 2 x 55 | 1.81 | | |
| TL35-2000-230S | | 230 | 0.86 | TL35-2000-230 | 2 x 115 | 0.86 | | |

Note: * UL and C-UL approvals are only available in the Dual Secondary parts.

| Product Series | Primary (V) | Single Secondary | | | Dual Secondary | | | Agency Approval |
|----------------|----------------|------------------|------------------|---------------|----------------|------------------|-----------------------------|-----------------|
| | | Part Number | Secondary Rating | | Part Number | Secondary Rating | | |
| | | | (V) | (A) | | (V) | (A) | |
| 250 VA | 230 | TL35E-2500-024S | 24 | 10.41 | TL35E-2500-024 | 2 x 12 | 10.41 | TUV CE |
| | | TL35E-2500-028S | 28 | 8.93 | TL35E-2500-028 | 2 x 14 | 8.93 | |
| | | TL35E-2500-030S | 30 | 8.33 | TL35E-2500-030 | 2 x 15 | 8.33 | |
| | | TL35E-2500-036S | 36 | 6.94 | TL35E-2500-036 | 2 x 18 | 6.94 | |
| | | TL35E-2500-044S | 44 | 5.68 | TL35E-2500-044 | 2 x 22 | 5.68 | |
| | | TL35E-2500-048S | 48 | 5.20 | TL35E-2500-048 | 2 x 24 | 5.20 | |
| | | TL35E-2500-060S | 60 | 4.16 | TL35E-2500-060 | 2 x 30 | 4.16 | |
| | | TL35E-2500-066S | 66 | 3.78 | TL35E-2500-066 | 2 x 33 | 3.78 | |
| | | TL35E-2500-070S | 70 | 3.57 | TL35E-2500-070 | 2 x 35 | 3.57 | |
| | | TL35E-2500-076S | 76 | 3.28 | TL35E-2500-076 | 2 x 38 | 3.28 | |
| | | TL35E-2500-110S | 110 | 2.27 | TL35E-2500-110 | 2 x 55 | 2.27 | |
| | | TL35E-2500-230S | 230 | 1.08 | TL35E-2500-230 | 2 x 115 | 1.08 | |
| | 115 | TL35U-2500-024S | 24 | 10.41 | TL35U-2500-024 | 2 x 12 | 10.41 | UL * C-UL * |
| | | TL35U-2500-028S | 28 | 8.93 | TL35U-2500-028 | 2 x 14 | 8.93 | |
| | | TL35U-2500-030S | 30 | 8.33 | TL35U-2500-030 | 2 x 15 | 8.33 | |
| | | TL35U-2500-036S | 36 | 6.94 | TL35U-2500-036 | 2 x 18 | 6.94 | |
| | | TL35U-2500-044S | 44 | 5.68 | TL35U-2500-044 | 2 x 22 | 5.68 | |
| | | TL35U-2500-048S | 48 | 5.20 | TL35U-2500-048 | 2 x 24 | 5.20 | |
| | | TL35U-2500-060S | 60 | 4.16 | TL35U-2500-060 | 2 x 30 | 4.16 | |
| | | TL35U-2500-066S | 66 | 3.78 | TL35U-2500-066 | 2 x 33 | 3.78 | |
| | | TL35U-2500-070S | 70 | 3.57 | TL35U-2500-070 | 2 x 35 | 3.57 | |
| | | TL35U-2500-076S | 76 | 3.28 | TL35U-2500-076 | 2 x 38 | 3.28 | |
| | | TL35U-2500-110S | 110 | 2.27 | TL35U-2500-110 | 2 x 55 | 2.27 | |
| | | TL35U-2500-230S | 230 | 1.08 | TL35U-2500-230 | 2 x 115 | 1.08 | |
| 2 x 115 | TL35-2500-024S | 24 | 10.41 | TL35-2500-024 | 2 x 12 | 10.41 | UL * C-UL * TUV CE | |
| | TL35-2500-028S | 28 | 8.93 | TL35-2500-028 | 2 x 14 | 8.93 | | |
| | TL35-2500-030S | 30 | 8.33 | TL35-2500-030 | 2 x 15 | 8.33 | | |
| | TL35-2500-036S | 36 | 6.94 | TL35-2500-036 | 2 x 18 | 6.94 | | |
| | TL35-2500-044S | 44 | 5.68 | TL35-2500-044 | 2 x 22 | 5.68 | | |
| | TL35-2500-048S | 48 | 5.20 | TL35-2500-048 | 2 x 24 | 5.20 | | |
| | TL35-2500-060S | 60 | 4.16 | TL35-2500-060 | 2 x 30 | 4.16 | | |
| | TL35-2500-066S | 66 | 3.78 | TL35-2500-066 | 2 x 33 | 3.78 | | |
| | TL35-2500-070S | 70 | 3.57 | TL35-2500-070 | 2 x 35 | 3.57 | | |
| | TL35-2500-076S | 76 | 3.28 | TL35-2500-076 | 2 x 38 | 3.28 | | |
| | TL35-2500-110S | 110 | 2.27 | TL35-2500-110 | 2 x 55 | 2.27 | | |
| | TL35-2500-230S | 230 | 1.08 | TL35-2500-230 | 2 x 115 | 1.08 | | |

Note: * UL and C-UL approvals are only available in the Dual Secondary parts.

| Product Series | Primary (V) | Single Secondary | | | Dual Secondary | | | Agency Approval |
|----------------|-----------------|------------------|------------------|---------------|----------------|------------------|--------|-----------------|
| | | Part Number | Secondary Rating | | Part Number | Secondary Rating | | |
| | | | (V) | (A) | | (V) | (A) | |
| 300 VA | 230 | TL35E-3000-028S | 28 | 10.71 | TL35E-3000-028 | 2 x 14 | 10.71 | TUV CE |
| | | TL35E-3000-030S | 30 | 10.00 | TL35E-3000-030 | 2 x 15 | 10.00 | |
| | | TL35E-3000-036S | 36 | 8.33 | TL35E-3000-036 | 2 x 18 | 8.33 | |
| | | TL35E-3000-048S | 48 | 6.25 | TL35E-3000-048 | 2 x 24 | 6.25 | |
| | | TL35E-3000-060S | 60 | 5.00 | TL35E-3000-060 | 2 x 30 | 5.00 | |
| | | TL35E-3000-066S | 66 | 4.54 | TL35E-3000-066 | 2 x 33 | 4.54 | |
| | | TL35E-3000-070S | 70 | 4.28 | TL35E-3000-070 | 2 x 35 | 4.28 | |
| | | TL35E-3000-076S | 76 | 3.94 | TL35E-3000-076 | 2 x 38 | 3.94 | |
| | | TL35E-3000-090S | 90 | 3.33 | TL35E-3000-090 | 2 x 45 | 3.33 | |
| | | TL35E-3000-110S | 110 | 2.72 | TL35E-3000-110 | 2 x 55 | 2.72 | |
| | | TL35E-3000-230S | 230 | 1.30 | TL35E-3000-230 | 2 x 115 | 1.30 | |
| | | 115 | TL35U-3000-028S | 28 | 10.71 | TL35U-3000-028 | 2 x 14 | |
| | TL35U-3000-030S | | 30 | 10.00 | TL35U-3000-030 | 2 x 15 | 10.00 | |
| | TL35U-3000-036S | | 36 | 8.33 | TL35U-3000-036 | 2 x 18 | 8.33 | |
| | TL35U-3000-048S | | 48 | 6.25 | TL35U-3000-048 | 2 x 24 | 6.25 | |
| | TL35U-3000-060S | | 60 | 5.00 | TL35U-3000-060 | 2 x 30 | 5.00 | |
| | TL35U-3000-066S | | 66 | 4.54 | TL35U-3000-066 | 2 x 33 | 4.54 | |
| | TL35U-3000-070S | | 70 | 4.28 | TL35U-3000-070 | 2 x 35 | 4.28 | |
| | TL35U-3000-076S | | 76 | 3.94 | TL35U-3000-076 | 2 x 38 | 3.94 | |
| | TL35U-3000-090S | | 90 | 3.33 | TL35U-3000-090 | 2 x 45 | 3.33 | |
| | TL35U-3000-110S | | 110 | 2.72 | TL35U-3000-110 | 2 x 55 | 2.72 | |
| | TL35U-3000-230S | | 230 | 1.30 | TL35U-3000-230 | 2 x 115 | 1.30 | |
| | 2 x 115 | | TL35-3000-028S | 28 | 10.71 | TL35-3000-028 | 2 x 14 | 10.71 |
| | | TL35-3000-030S | 30 | 10.00 | TL35-3000-030 | 2 x 15 | 10.00 | |
| TL35-3000-036S | | 36 | 8.33 | TL35-3000-036 | 2 x 18 | 8.33 | | |
| TL35-3000-048S | | 48 | 6.25 | TL35-3000-048 | 2 x 24 | 6.25 | | |
| TL35-3000-060S | | 60 | 5.00 | TL35-3000-060 | 2 x 30 | 5.00 | | |
| TL35-3000-066S | | 66 | 4.54 | TL35-3000-066 | 2 x 33 | 4.54 | | |
| TL35-3000-070S | | 70 | 4.28 | TL35-3000-070 | 2 x 35 | 4.28 | | |
| TL35-3000-076S | | 76 | 3.94 | TL35-3000-076 | 2 x 38 | 3.94 | | |
| TL35-3000-090S | | 90 | 3.33 | TL35-3000-090 | 2 x 45 | 3.33 | | |
| TL35-3000-110S | | 110 | 2.72 | TL35-3000-110 | 2 x 55 | 2.72 | | |
| TL35-3000-230S | | 230 | 1.30 | TL35-3000-230 | 2 x 115 | 1.30 | | |

Note: * UL and C-UL approvals are only available in the Dual Secondary parts.

| Product Series | Primary (V) | Single Secondary | | | Dual Secondary | | | Agency Approval |
|----------------|-------------|------------------|------------------|---------------|----------------|------------------|-------|-----------------|
| | | Part Number | Secondary Rating | | Part Number | Secondary Rating | | |
| | | | (V) | (A) | | (V) | (A) | |
| 400 VA | 230 | TL35E-4000-028S | 28 | 14.29 | TL35E-4000-028 | 2 x 14 | 14.29 | -- |
| | | TL35E-4000-048S | 48 | 8.33 | TL35E-4000-048 | 2 x 24 | 8.33 | |
| | | TL35E-4000-060S | 60 | 6.66 | TL35E-4000-060 | 2 x 30 | 6.66 | |
| | | TL35E-4000-066S | 66 | 6.06 | TL35E-4000-066 | 2 x 33 | 6.06 | |
| | | TL35E-4000-070S | 70 | 5.71 | TL35E-4000-070 | 2 x 35 | 5.71 | |
| | | TL35E-4000-076S | 76 | 5.26 | TL35E-4000-076 | 2 x 38 | 5.26 | |
| | | TL35E-4000-090S | 90 | 4.44 | TL35E-4000-090 | 2 x 45 | 4.44 | |
| | | TL35E-4000-110S | 110 | 3.63 | TL35E-4000-110 | 2 x 55 | 3.63 | |
| | | TL35E-4000-230S | 230 | 1.73 | TL35E-4000-230 | 2 x 115 | 1.73 | |
| | 115 | TL35U-4000-028S | 28 | 14.29 | TL35U-4000-028 | 2 x 14 | 14.29 | UL * C-UL * |
| | | TL35U-4000-048S | 48 | 8.33 | TL35U-4000-048 | 2 x 24 | 8.33 | |
| | | TL35U-4000-060S | 60 | 6.66 | TL35U-4000-060 | 2 x 30 | 6.66 | |
| | | TL35U-4000-066S | 66 | 6.06 | TL35U-4000-066 | 2 x 33 | 6.06 | |
| | | TL35U-4000-070S | 70 | 5.71 | TL35U-4000-070 | 2 x 35 | 5.71 | |
| | | TL35U-4000-076S | 76 | 5.26 | TL35U-4000-076 | 2 x 38 | 5.26 | |
| | | TL35U-4000-090S | 90 | 4.44 | TL35U-4000-090 | 2 x 45 | 4.44 | |
| | | TL35U-4000-110S | 110 | 3.63 | TL35U-4000-110 | 2 x 55 | 3.63 | |
| | | TL35U-4000-230S | 230 | 1.73 | TL35U-4000-230 | 2 x 115 | 1.73 | |
| | 2 x 115 | TL35-4000-028S | 28 | 14.29 | TL35-4000-028 | 2 x 14 | 14.29 | UL * C-UL * |
| | | TL35-4000-048S | 48 | 8.33 | TL35-4000-048 | 2 x 24 | 8.33 | |
| | | TL35-4000-060S | 60 | 6.66 | TL35-4000-060 | 2 x 30 | 6.66 | |
| | | TL35-4000-066S | 66 | 6.06 | TL35-4000-066 | 2 x 33 | 6.06 | |
| | | TL35-4000-070S | 70 | 5.71 | TL35-4000-070 | 2 x 35 | 5.71 | |
| | | TL35-4000-076S | 76 | 5.26 | TL35-4000-076 | 2 x 38 | 5.26 | |
| TL35-4000-090S | | 90 | 4.44 | TL35-4000-090 | 2 x 45 | 4.44 | | |
| TL35-4000-110S | | 110 | 3.63 | TL35-4000-110 | 2 x 55 | 3.63 | | |
| TL35-4000-230S | | 230 | 1.73 | TL35-4000-230 | 2 x 115 | 1.73 | | |

Note: * UL and C-UL approvals are only available in the Dual Secondary parts.

| Product Series | Primary (V) | Single Secondary | | | Dual Secondary | | | Agency Approval |
|----------------|-------------|------------------|------------------|-------|----------------|------------------|-------|-----------------|
| | | Part Number | Secondary Rating | | Part Number | Secondary Rating | | |
| | | | (V) | (A) | | (V) | (A) | |
| 500 VA | 230 | TL35E-5000-048S | 48 | 10.41 | TL35E-5000-048 | 2 x 24 | 10.41 | -- |
| | | TL35E-5000-060S | 60 | 8.33 | TL35E-5000-060 | 2 x 30 | 8.33 | |
| | | TL35E-5000-066S | 66 | 7.57 | TL35E-5000-066 | 2 x 33 | 7.57 | |
| | | TL35E-5000-070S | 70 | 7.14 | TL35E-5000-070 | 2 x 35 | 7.14 | |
| | | TL35E-5000-076S | 76 | 6.57 | TL35E-5000-076 | 2 x 38 | 6.57 | |
| | | TL35E-5000-090S | 90 | 5.55 | TL35E-5000-090 | 2 x 45 | 5.55 | |
| | | TL35E-5000-110S | 110 | 4.54 | TL35E-5000-110 | 2 x 55 | 4.54 | |
| | | TL35E-5000-230S | 230 | 2.17 | TL35E-5000-230 | 2 x 115 | 2.17 | |
| | 115 | TL35U-5000-048S | 48 | 10.41 | TL35U-5000-048 | 2 x 24 | 10.41 | UL * C-UL * |
| | | TL35U-5000-060S | 60 | 8.33 | TL35U-5000-060 | 2 x 30 | 8.33 | |
| | | TL35U-5000-066S | 66 | 7.57 | TL35U-5000-066 | 2 x 33 | 7.57 | |
| | | TL35U-5000-070S | 70 | 7.14 | TL35U-5000-070 | 2 x 35 | 7.14 | |
| | | TL35U-5000-076S | 76 | 6.57 | TL35U-5000-076 | 2 x 38 | 6.57 | |
| | | TL35U-5000-090S | 90 | 5.55 | TL35U-5000-090 | 2 x 45 | 5.55 | |
| | | TL35U-5000-110S | 110 | 4.54 | TL35U-5000-110 | 2 x 55 | 4.54 | |
| | | TL35U-5000-230S | 230 | 2.17 | TL35U-5000-230 | 2 x 115 | 2.17 | |
| | 2 x 115 | TL35-5000-048S | 48 | 10.41 | TL35-5000-048 | 2 x 24 | 10.41 | UL * C-UL * |
| | | TL35-5000-060S | 60 | 8.33 | TL35-5000-060 | 2 x 30 | 8.33 | |
| | | TL35-5000-066S | 66 | 7.57 | TL35-5000-066 | 2 x 33 | 7.57 | |
| | | TL35-5000-070S | 70 | 7.14 | TL35-5000-070 | 2 x 35 | 7.14 | |
| | | TL35-5000-076S | 76 | 6.57 | TL35-5000-076 | 2 x 38 | 6.57 | |
| | | TL35-5000-090S | 90 | 5.55 | TL35-5000-090 | 2 x 45 | 5.55 | |
| | | TL35-5000-110S | 110 | 4.54 | TL35-5000-110 | 2 x 55 | 4.54 | |
| | | TL35-5000-230S | 230 | 2.17 | TL35-5000-230 | 2 x 115 | 2.17 | |

Note: * UL and C-UL approvals are only available in the Dual Secondary parts.