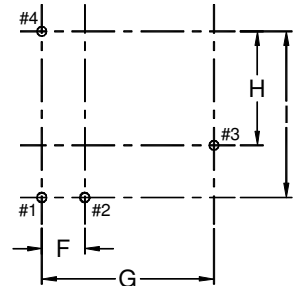
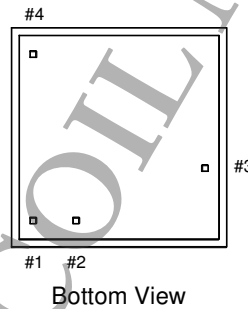
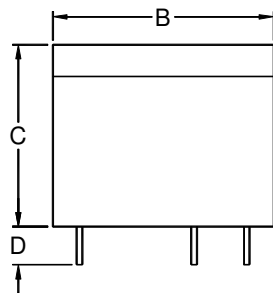
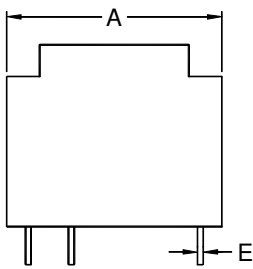


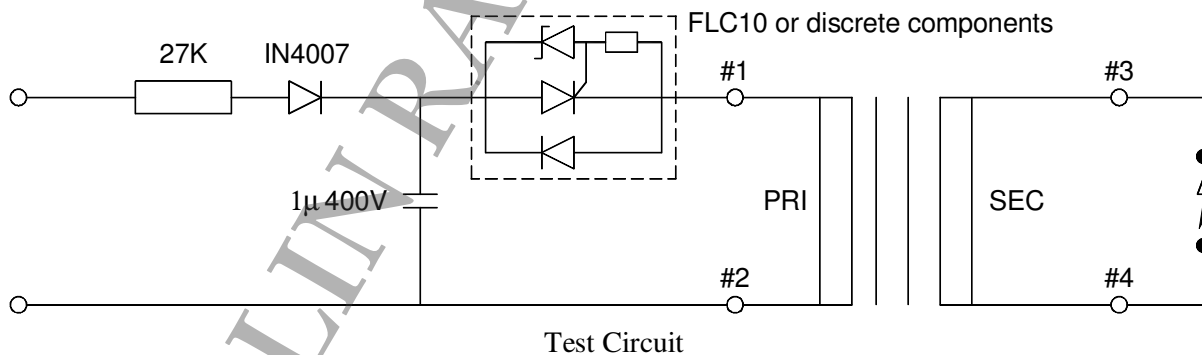


TL431 Series

- To start up the ignition system of gas, oil or air
- Available up to 23kVpp
- Ambient Temperature 70°C
- No-Load operation up to 30 seconds maximum



Product Series	Dimension (mm)									Weight (g)
	A	B	C	D	E	F	G	H	I	
TL431	22.0	23.0	19.0	5.0	SQ0.64	4.5	18.0	12.0	17.5	18
Tolerance	±0.5	±0.5	±0.5	±1.0	±0.1	±0.2	±0.5	±0.5	±0.5	approx.



Part Number	Primary Inductance (µH, ±15%)	Secondary Inductance (mH, ±15%)	Primary DC Resistance (mΩ, ±15%)	Secondary DC Resistance (Ω, ±15%)	Turns Ratio (Pri : Sec)	Secondary Voltage @ load 30pF	Spark Gap (mm)
TL431-001	6	240	26	520	1 : 200	22kV (typ.)	4 – 8
TL431-002	6	375	26	786	1 : 256	20kV (typ.)	4 – 8
TL431-003	12	340	59	822	1 : 175	23kV (typ.)	4 – 8
TL431-004	12	233	59	590	1 : 150	23kV (typ.)	4 – 8