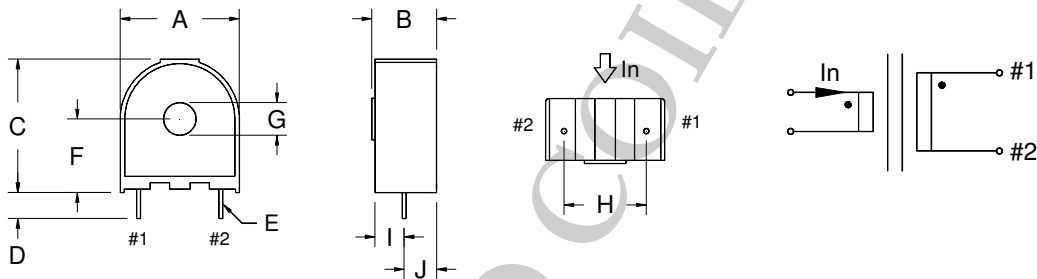


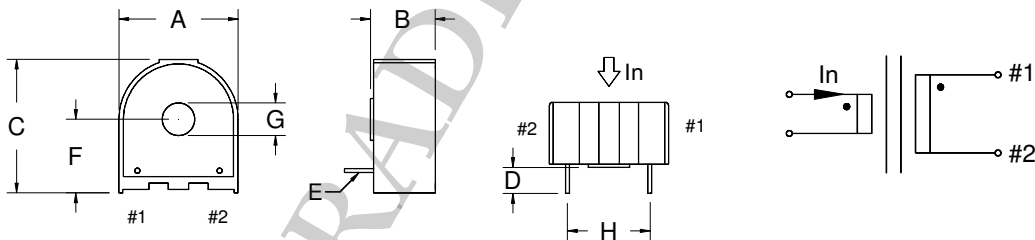
TL59 Series

- Rated voltage for up to 1000 Vrms
- Operating frequency up to 500 kHz.
- Sense up to 200 Amps RMS
- Dielectric Strength : 4000 Vrms
- Insulation class: Class B (130°C)
- Ambient temperature : -25°C to +70°C
- With RoHS complied
- Custom-made are available upon request

Fig I (Vertical Passing Through Hole Version)



(Horizontal Passing Through Hole Version)



Product Series	Dimension (mm)										Weight (g)
	A	B	C	D	E	F	G	H	I	J	
TL59-A1V-XXXX	18.5	10.0	20.5	4.0	∅0.6	11.3	5.0	12.7	4.5	5.0	9.0
TL59-A1H-XXXX	18.5	10.0	20.5	4.0	∅0.6	11.3	5.0	12.7	--	--	9.0
TL59-A2V-XXXX	22.5	13.0	25.0	4.0	∅0.6	13.8	6.0	12.7	6.0	6.5	18.0
TL59-A2H-XXXX	22.5	13.0	25.0	4.0	∅0.6	13.8	6.0	12.7	--	--	18.0
TL59-A3V-XXXX	22.5	14.5	25.4	4.0	∅0.6	14.0	6.0	12.7	7.0	7.0	20.0
TL59-A3H-XXXX	22.5	14.5	25.4	4.0	∅0.6	14.0	6.0	12.7	--	--	20.0
Tolerance	±1.0	±1.0	±1.0	±1.0	±1.0	±1.0	±1.0	±0.5	±0.5	±0.5	approx.

Fig II (Through Pin Style)

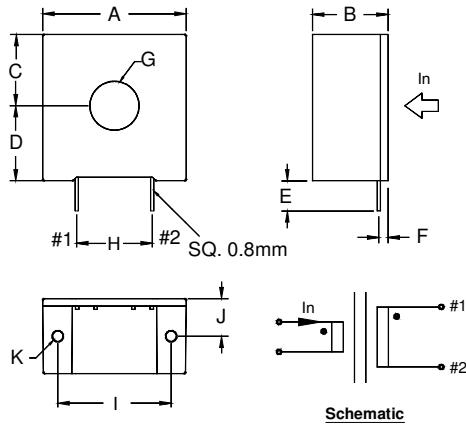
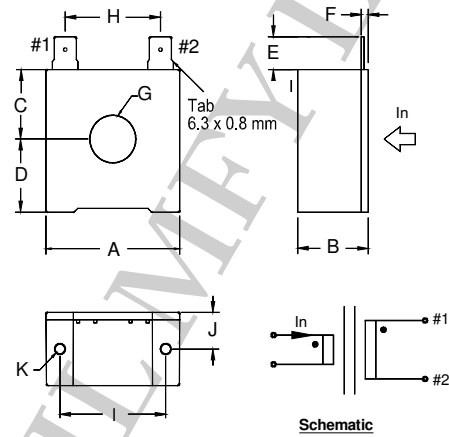


Fig III (Faston Tab Style)



Product Series		Dimension (mm)										Weight (g)	
		A	B	C	D	E	F	G	H	I	J		K
TL59-01P	Fig II	32.5	18.5	17.0	16.5	8.0	2.4	∅9.0	20.0	28.0	10.0	∅2.9	39.0
TL59-01T	Fig III	32.5	18.5	17.0	16.5	9.0	2.0	∅9.0	21.0	28.0	10.0	∅2.9	39.0
TL59-02P	Fig II	38.0	20.0	19.0	20.0	8.0	2.4	∅13.0	20.0	30.0	10.0	∅2.9	55.0
TL59-02T	Fig III	38.0	20.0	19.0	20.0	9.0	2.0	∅13.0	27.0	30.0	10.0	∅2.9	55.0
Tolerance		±1.0	±1.0	±1.0	±1.0	±1.0	±0.2	±1.0	±1.0	±1.0	±0.2	±0.1	approx.

Fig IV (Faston Tab Style)

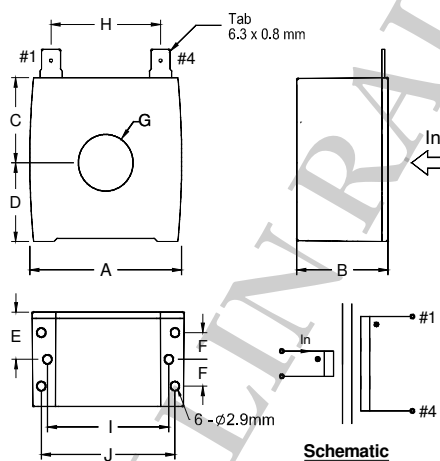
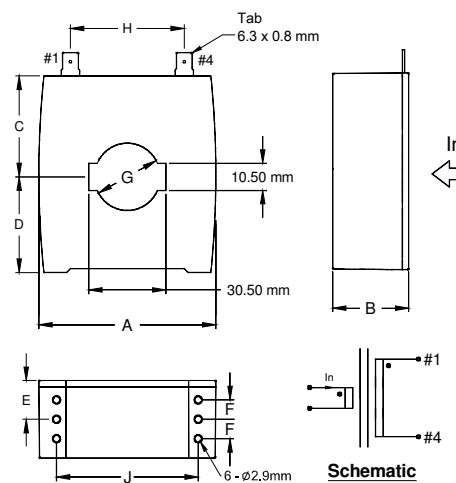


Fig V (Faston Tab Style)



Product Series		Dimension (mm)										Weight (g)
		A	B	C	D	E	F	G	H	I	J	
TL59-03T	Fig IV	50.0	30.0	27.0	25.0	15.0	8.5	∅18.0	12.0	40.0	44.0	181.0
TL59-04T	Fig V	70.0	30.0	39.0	37.0	15.0	7.5	∅26.0	15.0	--	56.0	333.0
Tolerance		±1.0	±1.0	±1.0	±1.0	±0.5	±0.5	±1.0	±1.0	±1.0	±1.0	approx.

Part Number	Rated Primary Current	Pri : Sec Turns Ratio	Secondary Inductance (@1kHz/1V)	Secondary DC Resistance (@25°C)	Minimum Secondary Transfer Area (@B _{MAX} , 25°C)	Working Frequency	Maximum Rated Voltage	Burden Resistance	Dielectric Strength
	I _p (A)	n	L _s (mH)	Ω	V _t (μVs)	(kHz)	(V)	(Ω)	V _{rms} (V)
TL59-A1X-0050	25	1 : 50	4.36	0.15	331	5 ~ 500	1000	0.5	4000
TL59-A1X-0100	25	1 : 100	21.96	0.51	663	5 ~ 250	1000	1.0	4000
TL59-A1X-0200	25	1 : 200	85.78	2.10	1327	5 ~ 100	1000	5.0	4000
TL59-A1X-0250	25	1 : 250	121.0	3.22	1659	5 ~ 80	1000	10.0	4000
TL59-A1X-0500	25	1 : 500	468.1	13.37	3318	5 ~ 60	1000	30.0	4000
TL59-A1X-0750	25	1 : 750	1057	28.79	4978	1 ~ 25	1000	50.0	4000
TL59-A1X-1000	25	1 : 1000	1842	47.65	6637	1 ~ 25	1000	100.0	4000
TL59-A2X-0050	35	1 : 50	8.33	0.12	351	5 ~ 500	1000	0.2	4000
TL59-A2X-0100	35	1 : 100	32.20	0.44	703	5 ~ 250	1000	1.0	4000
TL59-A2X-0200	35	1 : 200	130.9	1.78	1407	5 ~ 80	1000	3.0	4000
TL59-A2X-0250	35	1 : 250	170.3	2.55	1759	5 ~ 80	1000	5.0	4000
TL59-A2X-0500	35	1 : 500	664	10.83	3519	5 ~ 60	1000	20.0	4000
TL59-A2X-0750	35	1 : 750	1325	24.18	5278	1 ~ 25	1000	50.0	4000
TL59-A2X-1000	35	1 : 1000	2513	45.90	7038	1 ~ 20	1000	100.0	4000
TL59-A3X-0050	50	1 : 50	10.53	0.14	443	5 ~ 500	1000	0.2	4000
TL59-A3X-0100	50	1 : 100	38.31	0.41	887	5 ~ 250	1000	1.0	4000
TL59-A3X-0200	50	1 : 200	128.8	1.55	1775	5 ~ 80	1000	3.0	4000
TL59-A3X-0250	50	1 : 250	173.2	2.63	2219	5 ~ 80	1000	5.0	4000
TL59-A3X-0500	50	1 : 500	605.0	10.46	4439	5 ~ 60	1000	20.0	4000
TL59-A3X-0750	50	1 : 750	1752	22.18	6658	1 ~ 25	1000	50.0	4000
TL59-A3X-1000	50	1 : 1000	3070	38.58	8878	1 ~ 20	1000	100.0	4000

Note: Items with "X" indicate that V – Vertical style; H – Horizontal style

Part Number	Rated Primary Current	Pri : Sec Turns Ratio	Secondary Inductance (@1kHz/1V)	Secondary DC Resistance (@25°C)	Minimum Secondary Transfer Area (@BMAX. 25°C)	Working Frequency	Maximum Rated Voltage	Burden Resistance	Dielectric Strength
	Ip (A)	n	Ls (mH)	(Ω)	Vt (μVs)	(kHz)	(V)	(Ω)	Vrms (V)
TL59-01X-0050	70	1 : 50	10	0.07	887.5	5 ~ 500	1000	0.2	4000
TL59-01X-0100	70	1 : 100	40	0.30	1775	5 ~ 200	1000	1.0	4000
TL59-01X-0200	70	1 : 200	130	0.97	3550	5 ~ 50	1000	3.0	4000
TL59-01X-0500	70	1 : 500	937	5.81	8875	5 ~ 20	1000	25.0	4000
TL59-01X-1000	70	1 : 1000	3581	25.28	17750	5 ~ 10	1000	50.0	4000
TL59-02X-0100	100	1 : 100	31	0.27	2964	5 ~ 60	1000	0.4	4000
TL59-02X-0200	100	1 : 200	121	1.17	5928	1 ~ 25	1000	3.0	4000
TL59-02X-0500	100	1 : 500	1040	7.8	14820	1 ~ 20	1000	20.0	4000
TL59-02X-1000	100	1 : 1000	3540	27.99	29640	1 ~ 10	1000	80.0	4000
TL59-03T-0100	300	1 : 100	105	0.28	5925	5 ~ 50	1000	0.5	4000
TL59-03T-0200	300	1 : 200	377	1.07	11850	5 ~ 25	1000	2	4000
TL59-03T-0500	300	1 : 500	1950	6.62	29625	5 ~ 10	1000	10	4000
TL59-03T-1000	300	1 : 1000	8330	29.2	59250	5 ~ 10	1000	50	4000
TL59-03T-1500	300	1 : 1500	27700	61.3	88875	1 ~ 10	1000	100	4000
TL59-03T-2000	300	1 : 2000	116100	108	118500	1 ~ 10	1000	200	4000
TL59-04T-0100	400	1 : 100	74	0.2	6083	5 ~ 50	1000	0.3	4000
TL59-04T-0200	400	1 : 200	284	0.75	12166	5 ~ 25	1000	2	4000
TL59-04T-0500	400	1 : 500	1810	3.7	30415	5 ~ 10	1000	5	4000
TL59-04T-1000	400	1 : 1000	7220	12.2	60830	5 ~ 10	1000	20	4000
TL59-04T-1500	400	1 : 1500	24010	28.5	91245	1 ~ 10	1000	50	4000
TL59-04T-2000	400	1 : 2000	68000	45.8	121660	1 ~ 10	1000	100	4000

Note: Items with "X" indicate that P – Through pin style; T – Faston tab style