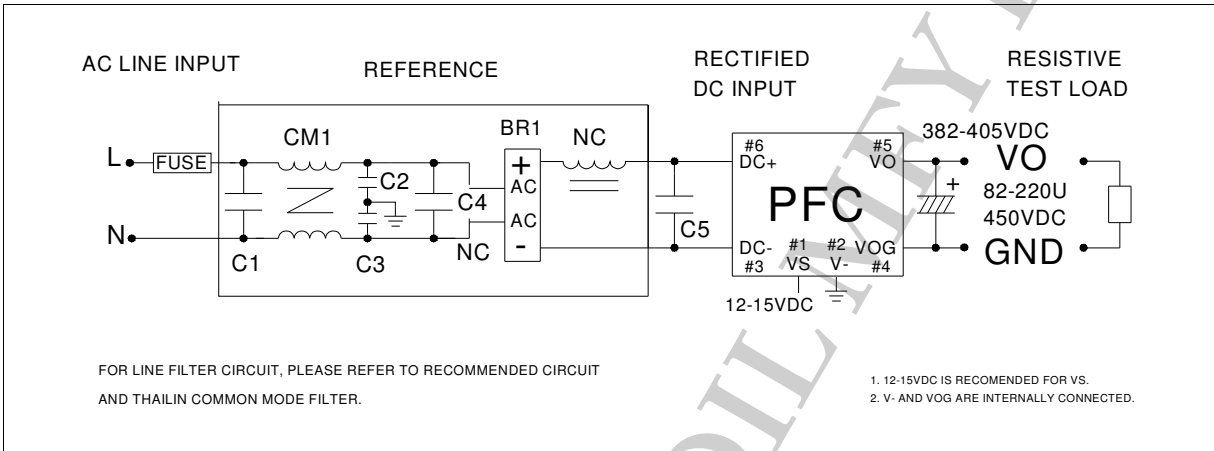


RECOMMENDED CIRCUIT CONFIGURATION



- Note: (1) External parts for input rectification and PFC voltage (DC 382 ~ 405V).
(2) It can be supplied to magnetic components or demo board for measurement circuit.

Part Number	DC Rated Input Voltage	Output Voltage (VDC)	Output Power (W) Max.	Fully Load		
				Efficiency (%) Max.	Power Factor (η) Max.	THD (%) Typ.
TL331-0135	120 ~ 375VDC (85 ~ 265VAC)	400	135	98	0.99	12
	280 ~ 375VDC (200 ~ 265VAC)	400	240	98	0.99	12
	120 ~ 183VDC (85 ~ 130VAC)	400	135	96	0.99	7
TL331-0170	120 ~ 375VDC (85 ~ 265VAC)	400	170	98	0.99	12
	260 ~ 375VDC (185 ~ 265VAC)	400	330	98	0.99	12
	120 ~ 183VDC (85 ~ 130VAC)	400	170	96	0.99	7